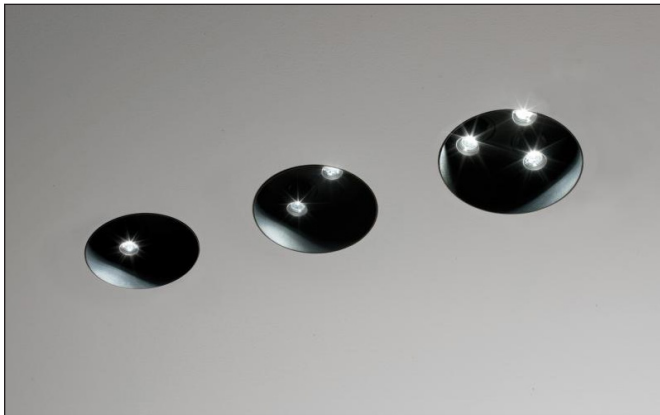


# POP™ 03 Ø17

RECESSED

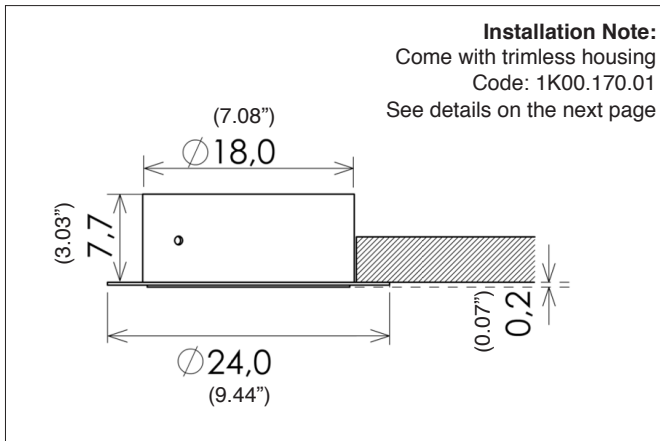
TYPE:

PROJECT NAME:

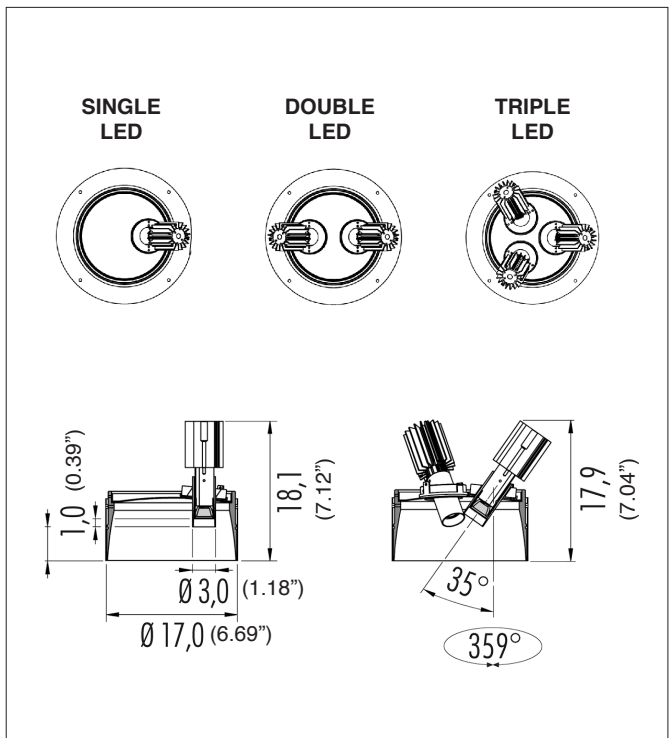


02 White 06 Black

|                      |                             |            |
|----------------------|-----------------------------|------------|
| Power                | N x 13.4W (N=number of LED) |            |
|                      | 2700K                       | N x 1650lm |
| Luminaire Light Flux | 3000K                       | N x 1727lm |
|                      | 4000K                       | N x 1786lm |



|                    |                     |
|--------------------|---------------------|
| Mounting           | Ceiling Recessed    |
| Material           | Metal body          |
| LED                | 2700K, 3000K, 4000K |
| Dimmer             | LTE / 0-10V         |
| Ingress Protection | IP40                |
| CRI                | >95                 |
| Class              | II                  |
| Lifetime           | 100.000h L80B10     |



## ORDERING INFO

| Model (Order Code)  | Finish Options                     | Optic                           | LED                               | Remote Driver Options                        |
|---|------------------------------------|---------------------------------|-----------------------------------|--|
| <input type="checkbox"/> Single LED: L173PL31.2 (without Honeycomb) | <input type="checkbox"/> 02: White | <input type="checkbox"/> 1: 30° | <input type="checkbox"/> 2: 2700K | <input type="checkbox"/> LTE: 120V LTE       |
| <input type="checkbox"/> Single LED: L174PL31.2 (with Honeycomb)    | <input type="checkbox"/> 06: Black |                                 | <input type="checkbox"/> 3: 3000K | <input type="checkbox"/> D10: 120-277V 0-10V |
| <input type="checkbox"/> Double LED: L173PL32.2 (without Honeycomb) |                                    |                                 | <input type="checkbox"/> 4: 4000K |  |
| <input type="checkbox"/> Double LED: L174PL32.2 (with Honeycomb)    |                                    |                                 |                                   |  |
| <input type="checkbox"/> Triple LED: L173PL33.2 (without Honeycomb) |                                    |                                 |                                   |  |
| <input type="checkbox"/> Triple LED: L174PL33.2 (with Honeycomb)    |                                    |                                 |                                   |  |

SPECIFICATION SHEET

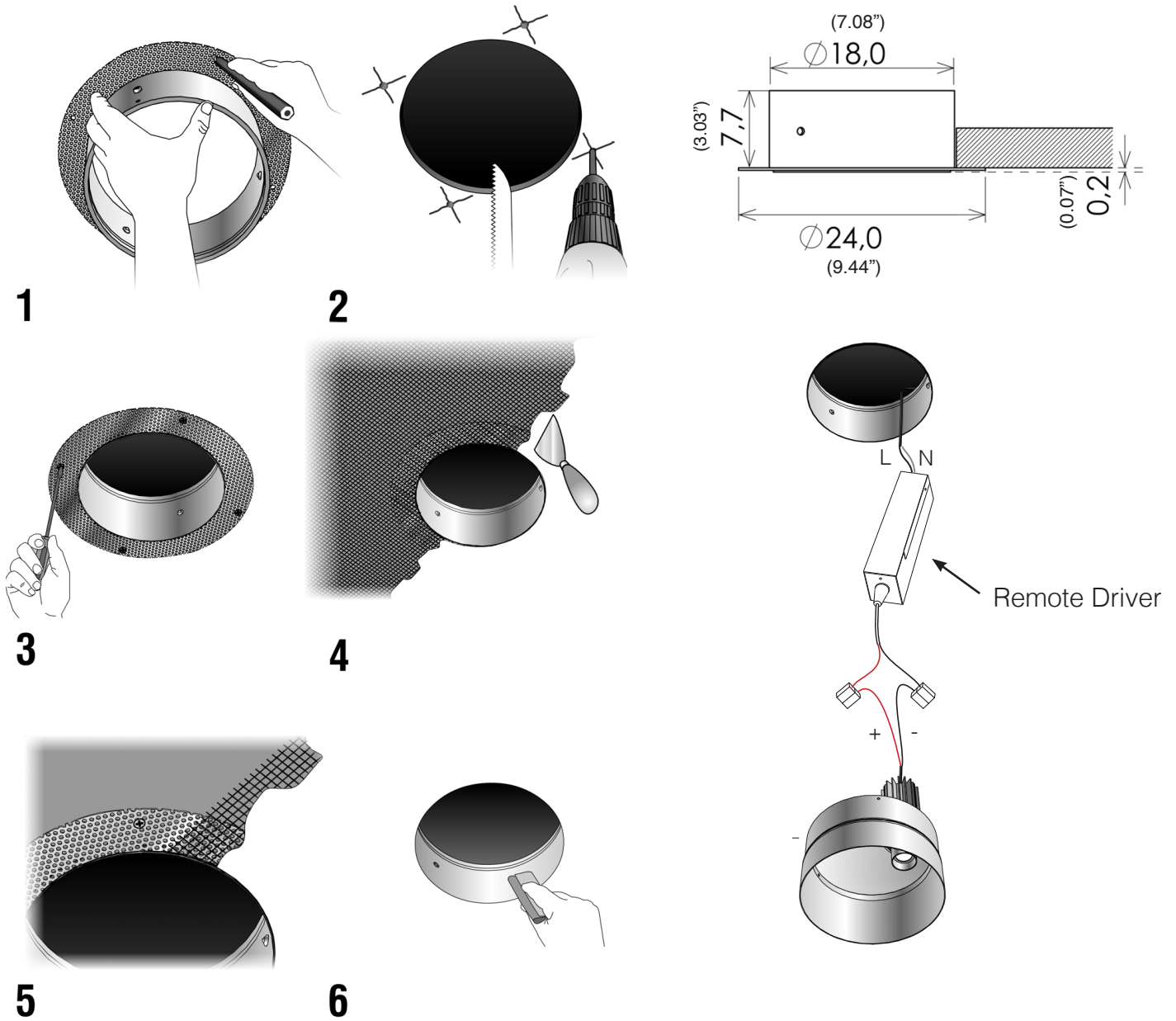


# POP™ 03 Ø17

RECESSED

TYPE:

PROJECT NAME:



SPECIFICATION SHEET

- Once pointed the position of the lamp, mark the fixing holes for the housing.
- Make the hole for the housing and the holes for the fixing rawlplugs.
- Fix the screws of the housing to the ceiling plaster board.
- Apply the proper grasping net.
- Plaster and trim the compensating 2mm (0.07") gap.
- Keep clean the inside of the housing.