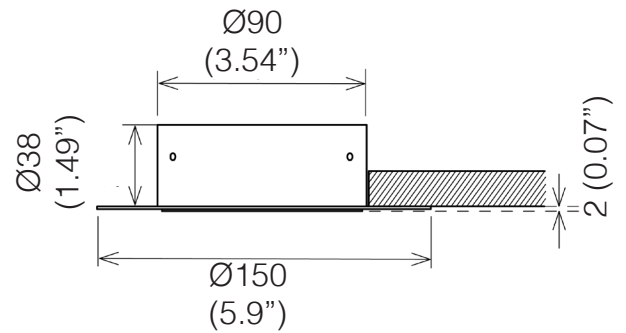
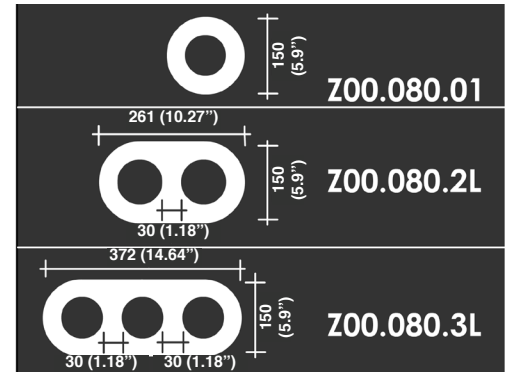
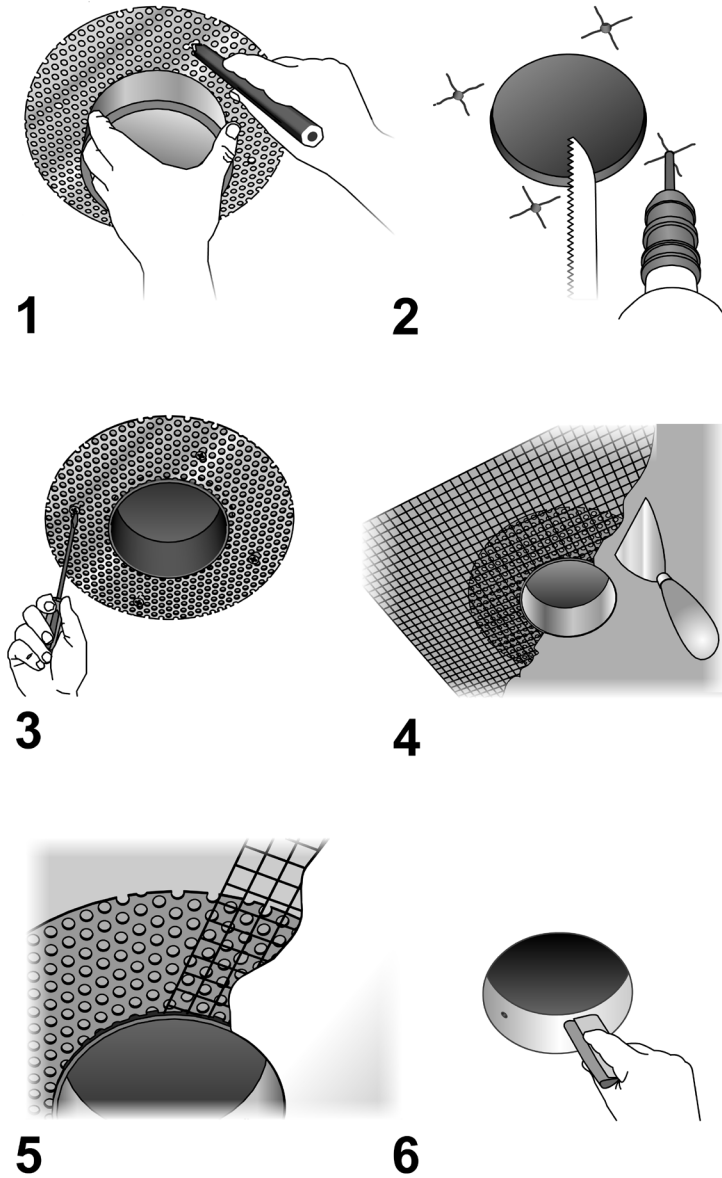


POP™ 04 Ø8

INSTALLATION INSTRUCTIONS

TYPE:

PROJECT NAME:



INSTALLATION SHEET

- Once pointed the position of the lamp, mark the fixing holes for the housing.
- Make the hole for the housing and the holes for the fixing rawlplugs.
- Fix the screws of the housing to the ceiling plaster board.
- Apply the proper grasping net.
- Plaster and trim the compensating 2mm (0.07") gap.
- Keep clean the inside of the housing.

Luminart®

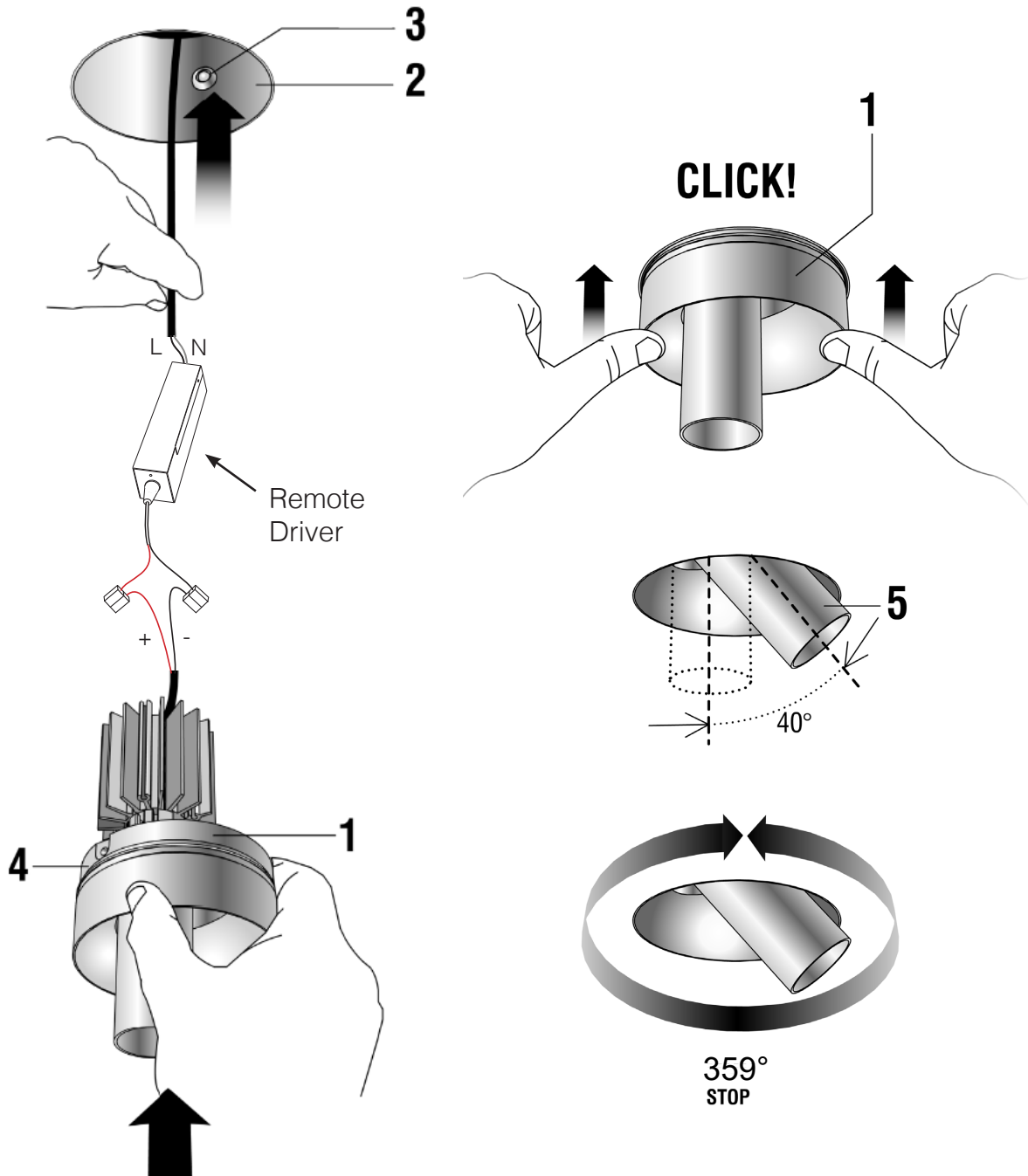
WWW.LUMINARTLIGHTING.COM
Last updated: 03/03/25

POP™ 04 Ø8

INSTALLATION INSTRUCTIONS

TYPE:

PROJECT NAME:



- Make the connection to the driver.
- Put element (1) into the housing (2) already installed in the ceiling.
- Press strongly on the border of element (1) until the click coupling, which means until the spherical element (3) of the housing will fit into the groove (4) of element (1).
- Finally adjust element (1) and the tube (5) as required.