

POP™ 04 MAGIC

RECESSED / CEILING

TYPE:

PROJECT NAME:



SPECIFICATION SHEET

Luminart®

WWW.LUMINARTLIGHTING.COM
Last updated: 03/03/25

POP™ 04 MAGIC H25

RECESSED

TYPE:

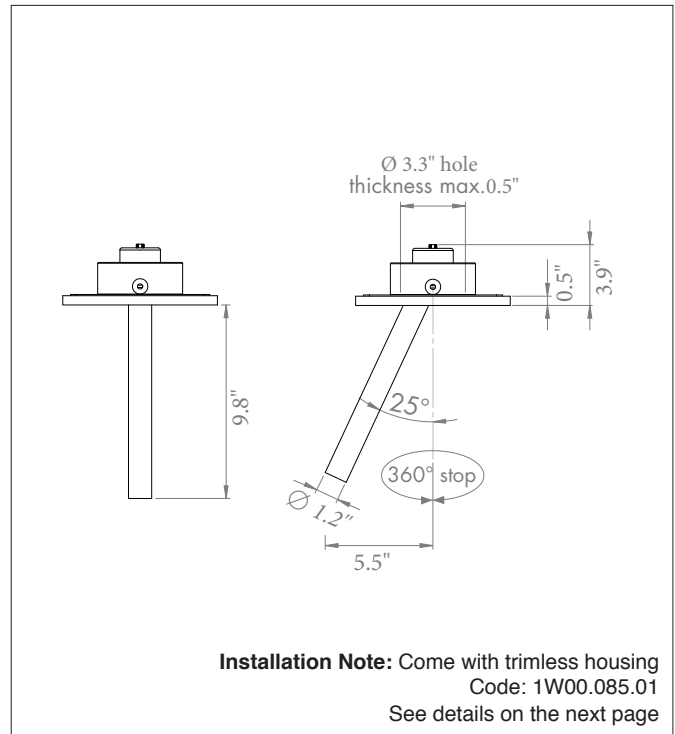
PROJECT NAME:



Mounting	Ceiling Recessed
Material	Metal body
LED	2700K, 3000K, 4000K
Dimmer	LTE / 0-10V
Ingress Protection	IP40
CRI	>95
Class	II
Lifetime	100.000h L80B10

- 02 White
 06 Black

Power	13.4W	
Luminaire Light Flux	2700K	1650lm
	3000K	1727lm
	4000K	1786lm



SPECIFICATION SHEET

ORDERING INFO

Model (Order Code)	Power	Finish Options	Optic Options	LED	Remote Driver Options
<input type="radio"/> L173P04A.2 without Honeycomb <input type="radio"/> L174P04A.2 with Honeycomb	<input type="radio"/> 1: 13.4W	<input type="radio"/> 02: White <input type="radio"/> 06: Black	<input type="radio"/> 1: 25°	<input type="radio"/> 2: 2700K <input type="radio"/> 3: 3000K <input type="radio"/> 4: 4000K	<input type="radio"/> LTE: 120V LTE <input type="radio"/> D10: 120-277V 0-10V

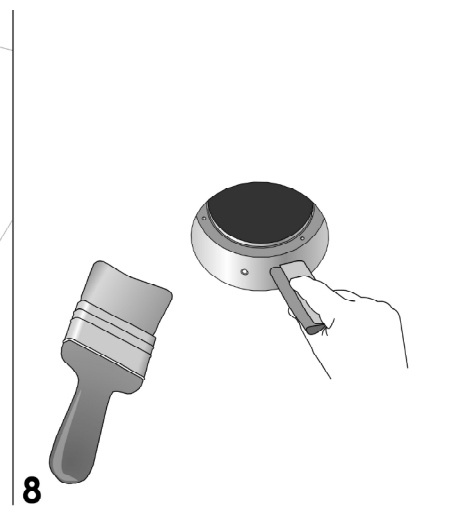
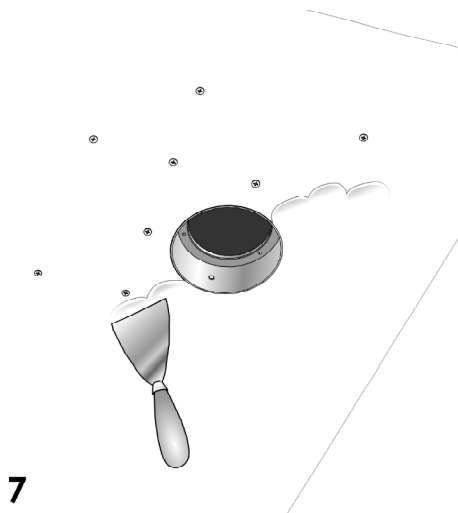
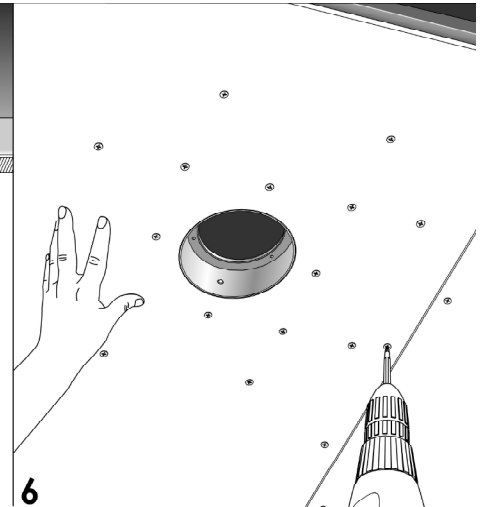
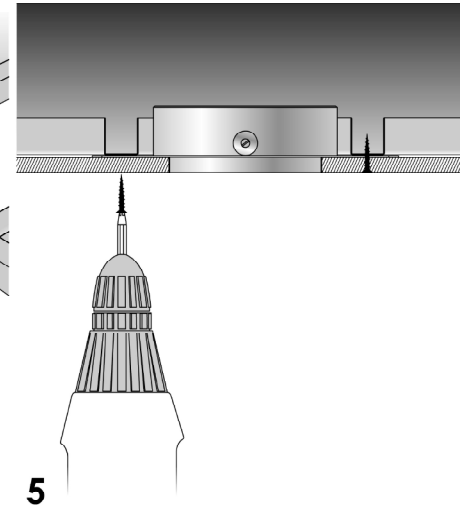
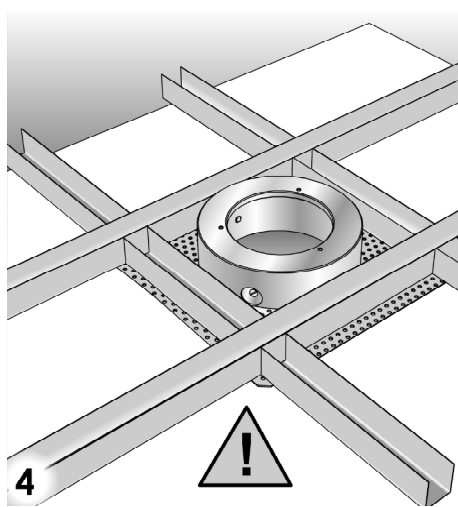
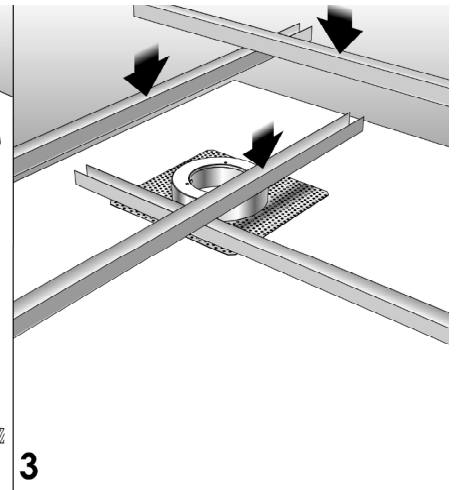
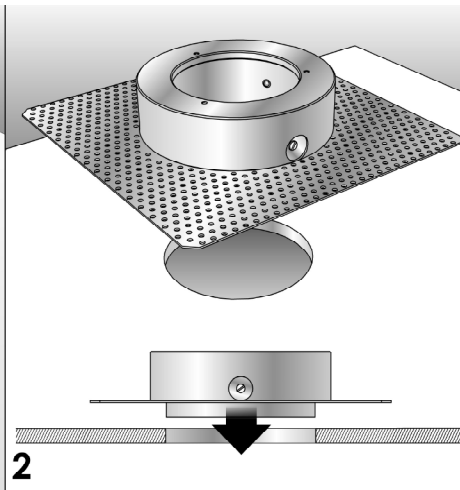
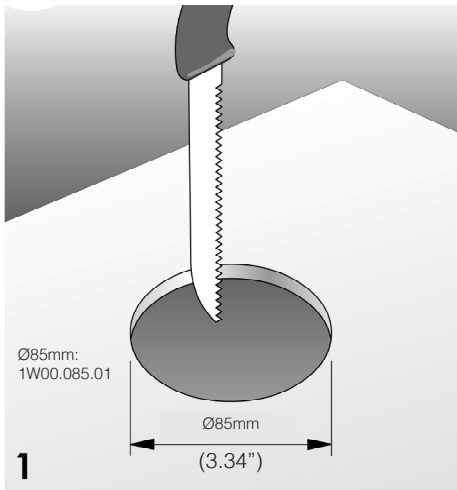


POP™ 04 MAGIC H25

RECESSED

TYPE:

PROJECT NAME:



- 1) Once pointed the position of the lamp, cut the hole for the housing.
- 2) Place the housing on the side of the plasterboard plate that will remain invisible after the work is done.
- 3-4) Put some metal profiles to fix and reinforce the area of the housing.
- 5) Fix with screws, the housing to the plasterboard and to the reinforcement profiles.
- 6-7) Complete the false ceiling, plaster and trim.
- 8) Keep clean the inside of the housing.

POP™ 04 MAGIC H40

RECESSED

TYPE:

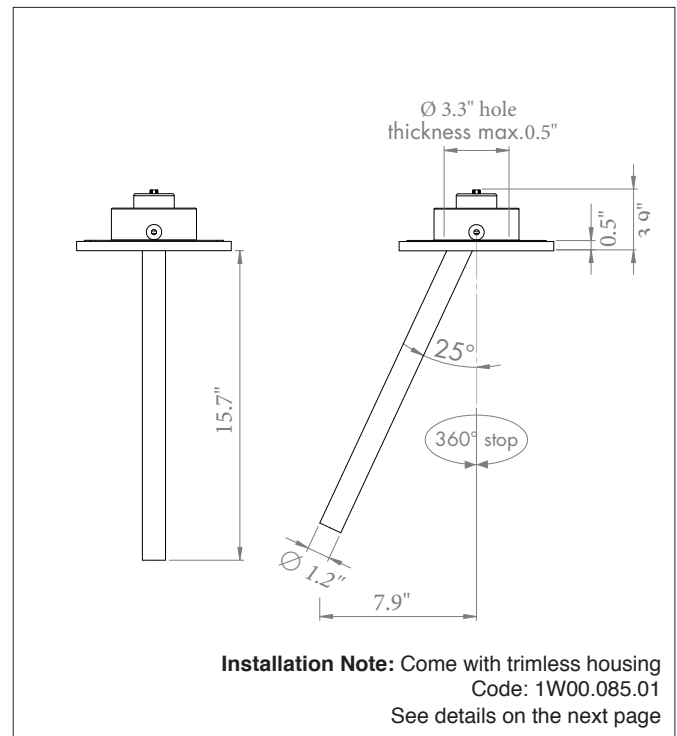
PROJECT NAME:



Mounting	Ceiling Recessed
Material	Metal body
LED	2700K, 3000K, 4000K
Dimmer	LTE / 0-10V
Ingress Protection	IP40
CRI	>95
Class	II
Lifetime	100.000h L80B10

- 02 White
 06 Black

Power	13.4W	
Luminaire Light Flux	2700K	1650lm
	3000K	1727lm
	4000K	1786lm



SPECIFICATION SHEET

ORDERING INFO

Model (Order Code)	Power	Finish Options	Optic Options	LED	Remote Driver Options
<input type="radio"/> L173P04B.2 without Honeycomb <input type="radio"/> L174P04B.2 with Honeycomb	<input type="radio"/> 1: 13.4W	<input type="radio"/> 02: White <input type="radio"/> 06: Black	<input type="radio"/> 1: 25°	<input type="radio"/> 2: 2700K <input type="radio"/> 3: 3000K <input type="radio"/> 4: 4000K	<input type="radio"/> LTE: 120V LTE <input type="radio"/> D10: 120-277V 0-10V

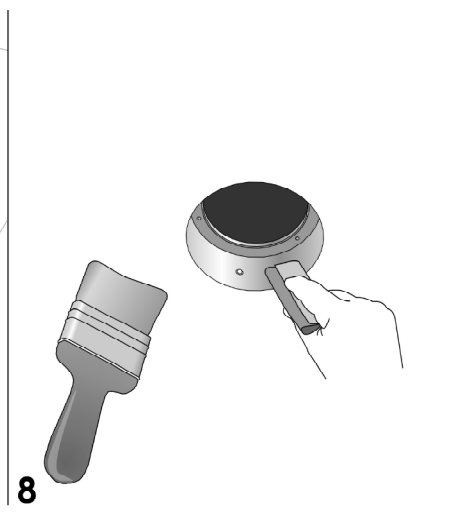
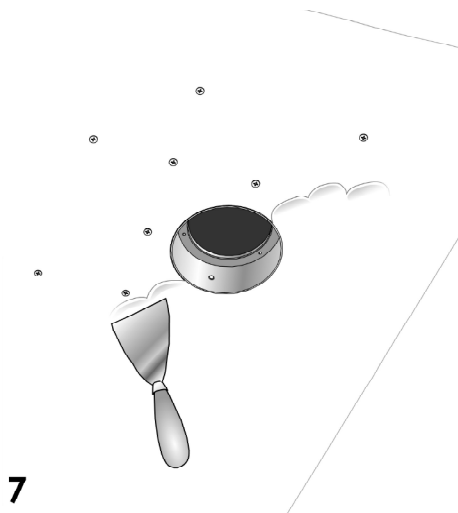
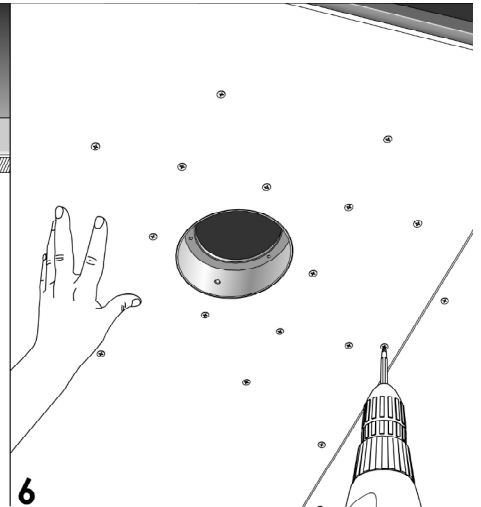
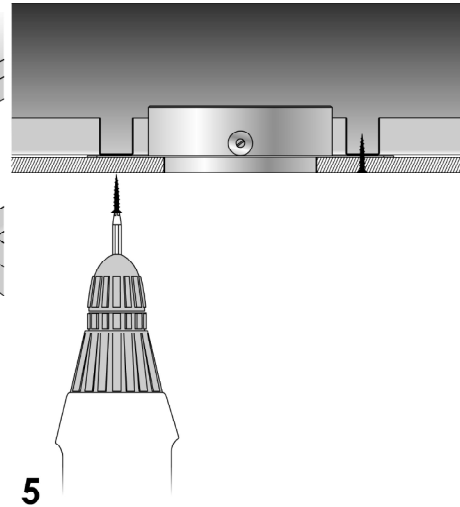
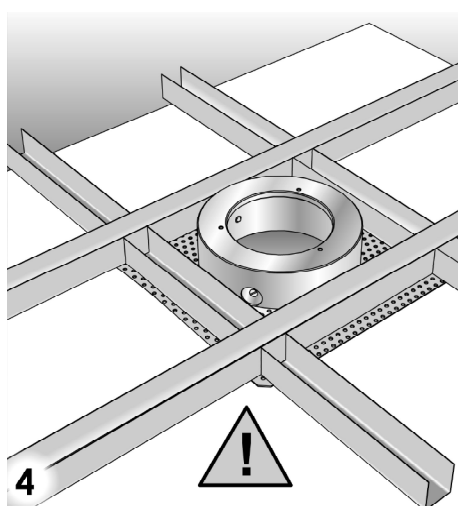
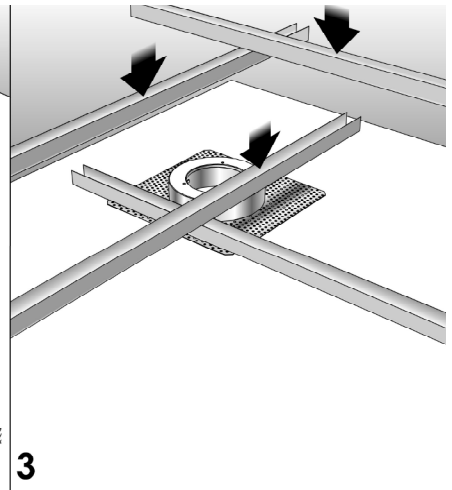
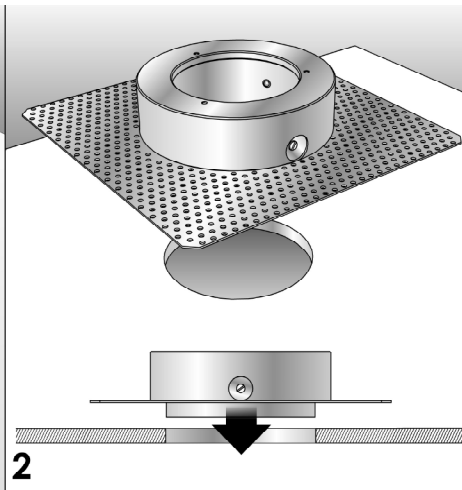
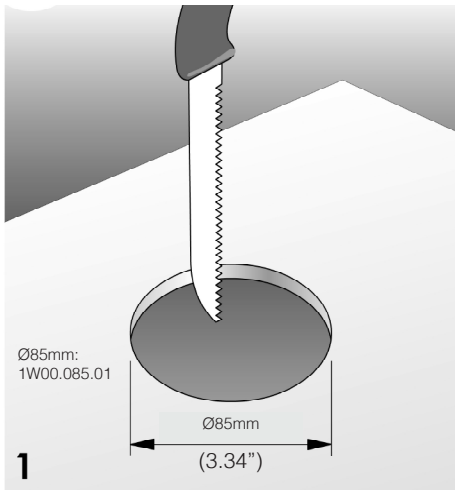


POP™ 04 MAGIC H40

RECESSED

TYPE:

PROJECT NAME:



- 1) Once pointed the position of the lamp, cut the hole for the housing.
- 2) Place the housing on the side of the plasterboard plate that will remain invisible after the work is done.
- 3-4) Put some metal profiles to fix and reinforce the area of the housing.
- 5) Fix with screws, the housing to the plasterboard and to the reinforcement profiles.
- 6-7) Complete the false ceiling, plaster and trim.
- 8) Keep clean the inside of the housing.

POP™ 04 MAGIC H120

RECESSED

TYPE:

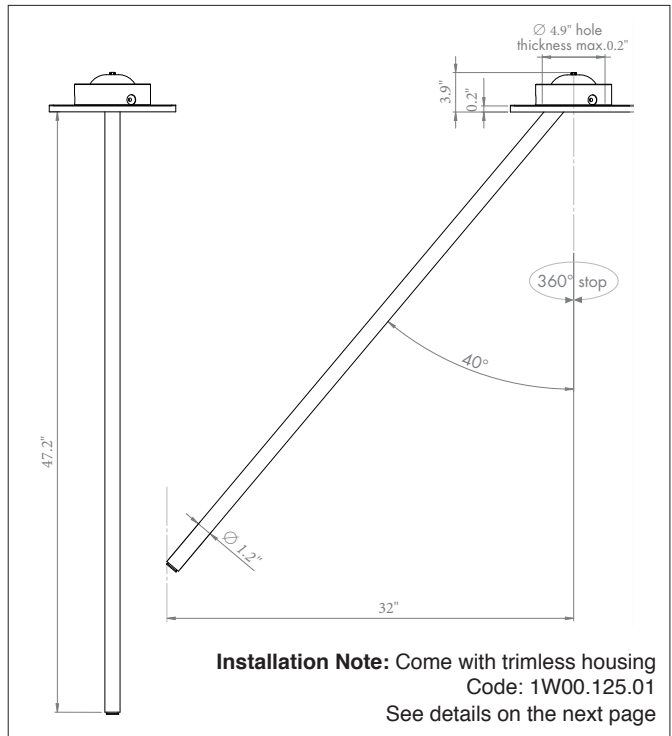
PROJECT NAME:



Mounting	Ceiling Recessed
Material	Metal body
LED	2700K, 3000K, 4000K
Dimmer	LTE / 0-10V
Ingress Protection	IP40
CRI	>95
Class	II
Lifetime	100.000h L80B10

- 02 White
 06 Black

Power		13.4W
Luminaire Light Flux	2700K	1650lm
	3000K	1727lm
	4000K	1786lm



SPECIFICATION SHEET

ORDERING INFO

Model (Order Code)	Power	Finish Options	Optic Options	LED	Remote Driver Options
<input type="radio"/> L173P04C.2 without Honeycomb <input type="radio"/> L174P04C.2 with Honeycomb	<input type="radio"/> 1: 13.4W	<input type="radio"/> 02: White <input type="radio"/> 06: Black	<input type="radio"/> 1: 25°	<input type="radio"/> 2: 2700K <input type="radio"/> 3: 3000K <input type="radio"/> 4: 4000K	<input type="radio"/> LTE: 120V LTE <input type="radio"/> D10: 120-277V 0-10V

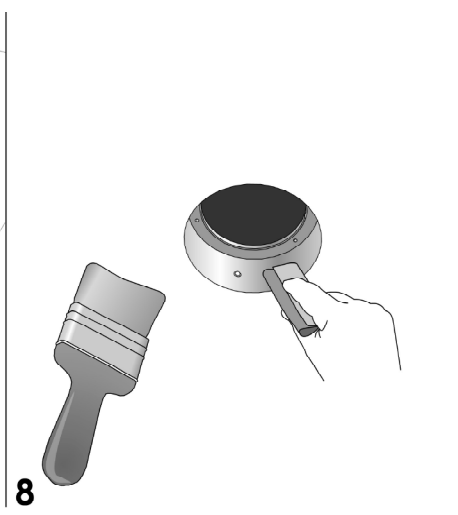
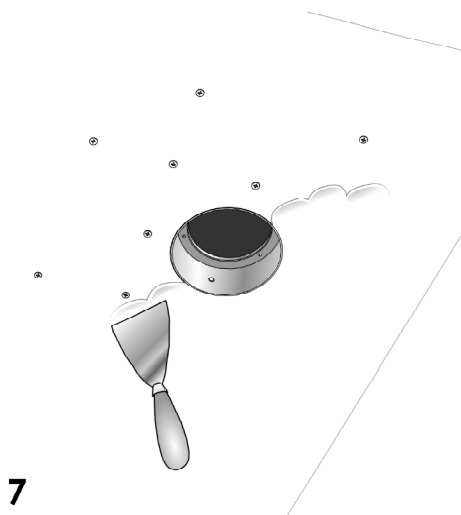
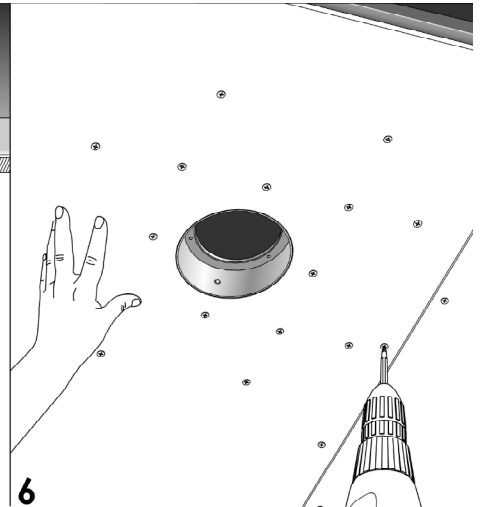
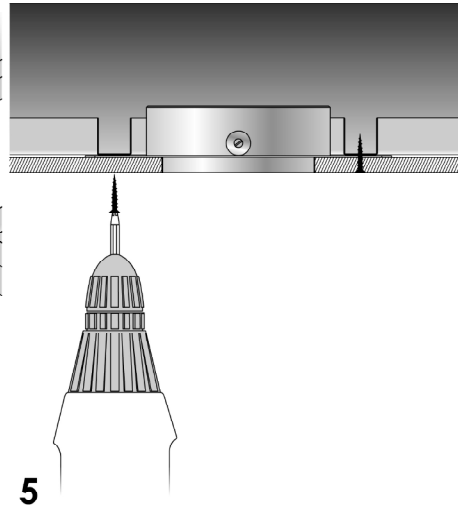
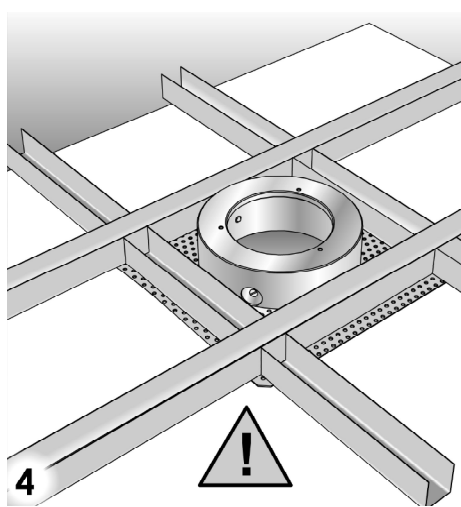
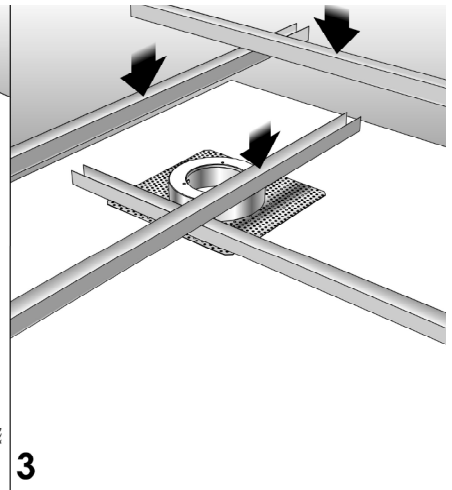
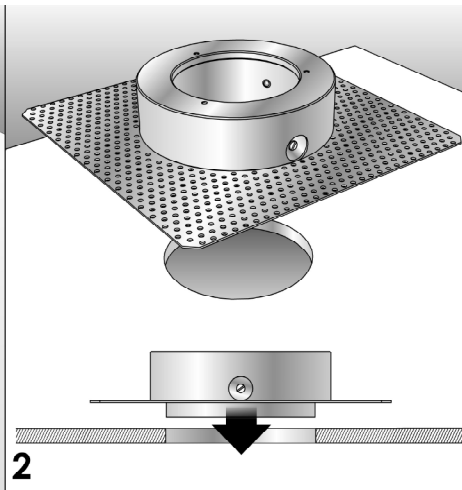
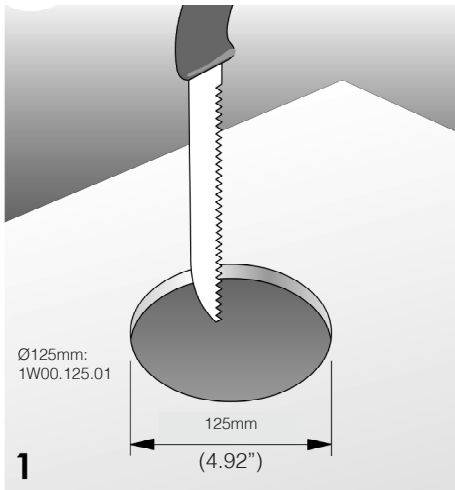


POP™ 04 MAGIC H120

TYPE:

RECESSED

PROJECT NAME:



- 1) Once pointed the position of the lamp, cut the hole for the housing.
- 2) Place the housing on the side of the plasterboard plate that will remain invisible after the work is done.
- 3-4) Put some metal profiles to fix and reinforce the area of the housing.
- 5) Fix with screws, the housing to the plasterboard and to the reinforcement profiles.
- 6-7) Complete the false ceiling, plaster and trim.
- 8) Keep clean the inside of the housing.

POP™ 04 MAGIC H120

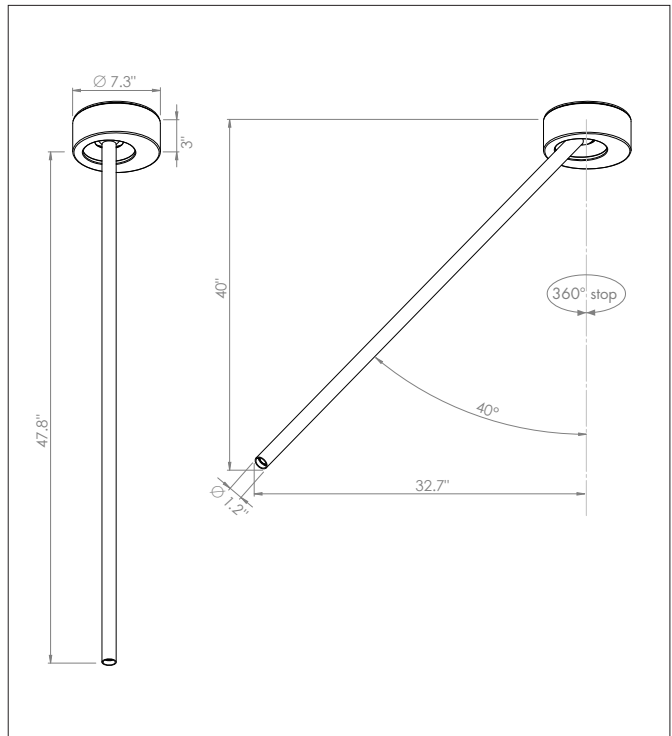
CEILING

TYPE:

PROJECT NAME:



Mounting	Ceiling Mounted
Material	Metal body
LED	2700K, 3000K, 4000K
Dimmer	LTE / 0-10V
Ingress Protection	IP40
CRI	>95
Class	II
Lifetime	100.000h L80B10



- 02 White
 06 Black

Power		13.4W
Luminaire Light Flux	2700K	1650lm
	3000K	1727lm
	4000K	1786lm

SPECIFICATION SHEET

ORDERING INFO

Model (Order Code)	Power	Finish Options	Optic Options	LED	Driver Options
<input type="radio"/> L173P04K.2 without Honeycomb <input type="radio"/> L174P04K.2 with Honeycomb	<input type="radio"/> 1: 13.4W	<input type="radio"/> 02: White <input type="radio"/> 06: Black	<input type="radio"/> 1: 25°	<input type="radio"/> 2: 2700K <input type="radio"/> 3: 3000K <input type="radio"/> 4: 4000K	<input type="radio"/> LTE: 120V LTE <input type="radio"/> D10: 120-277V 0-10V

