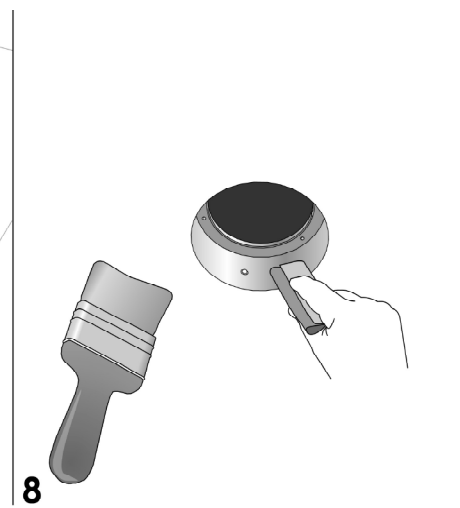
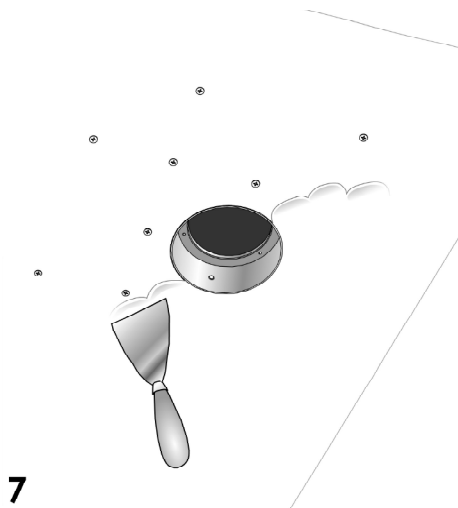
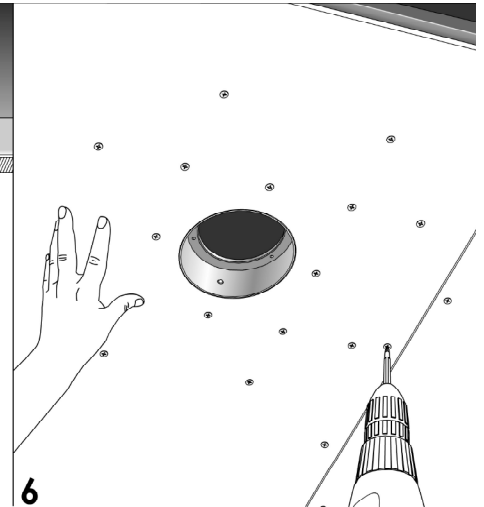
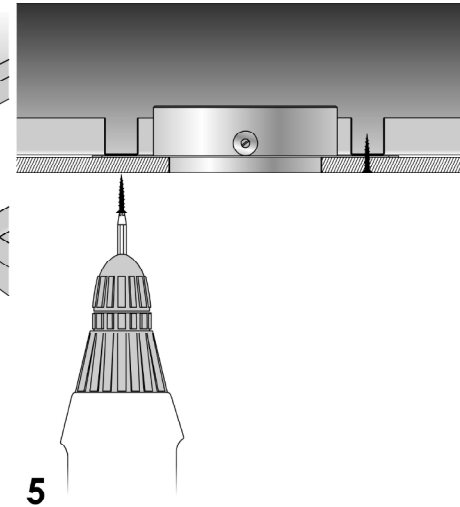
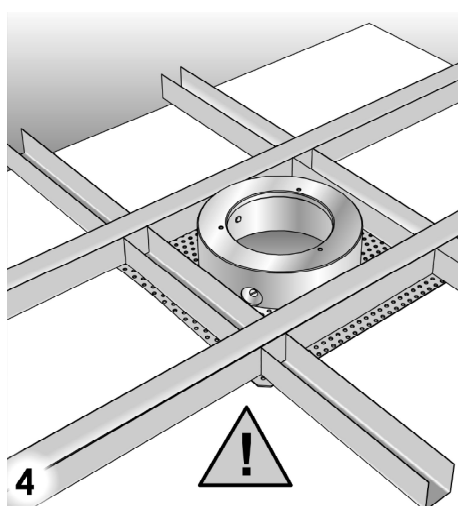
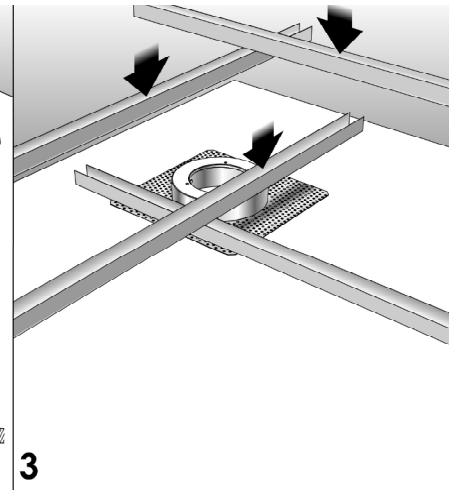
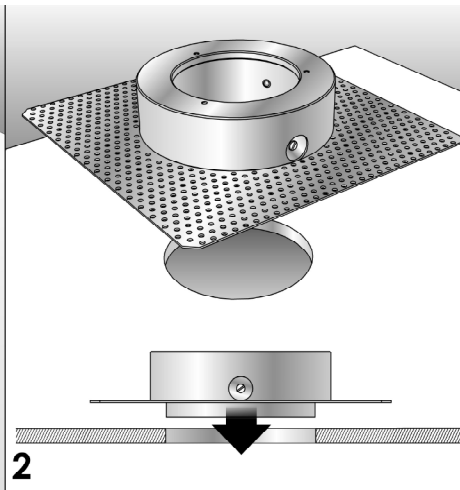
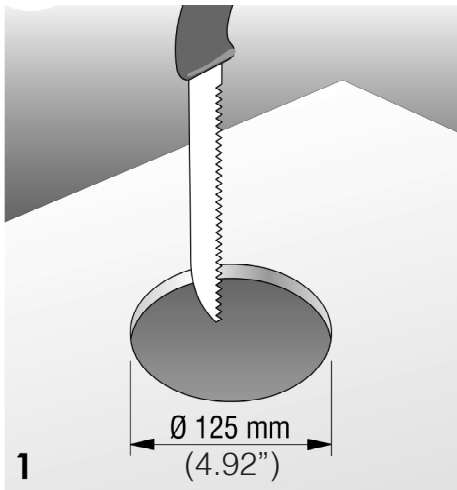


# POP™ 12 L Ø 03

## INSTALLATION INSTRUCTIONS

TYPE:

PROJECT NAME:



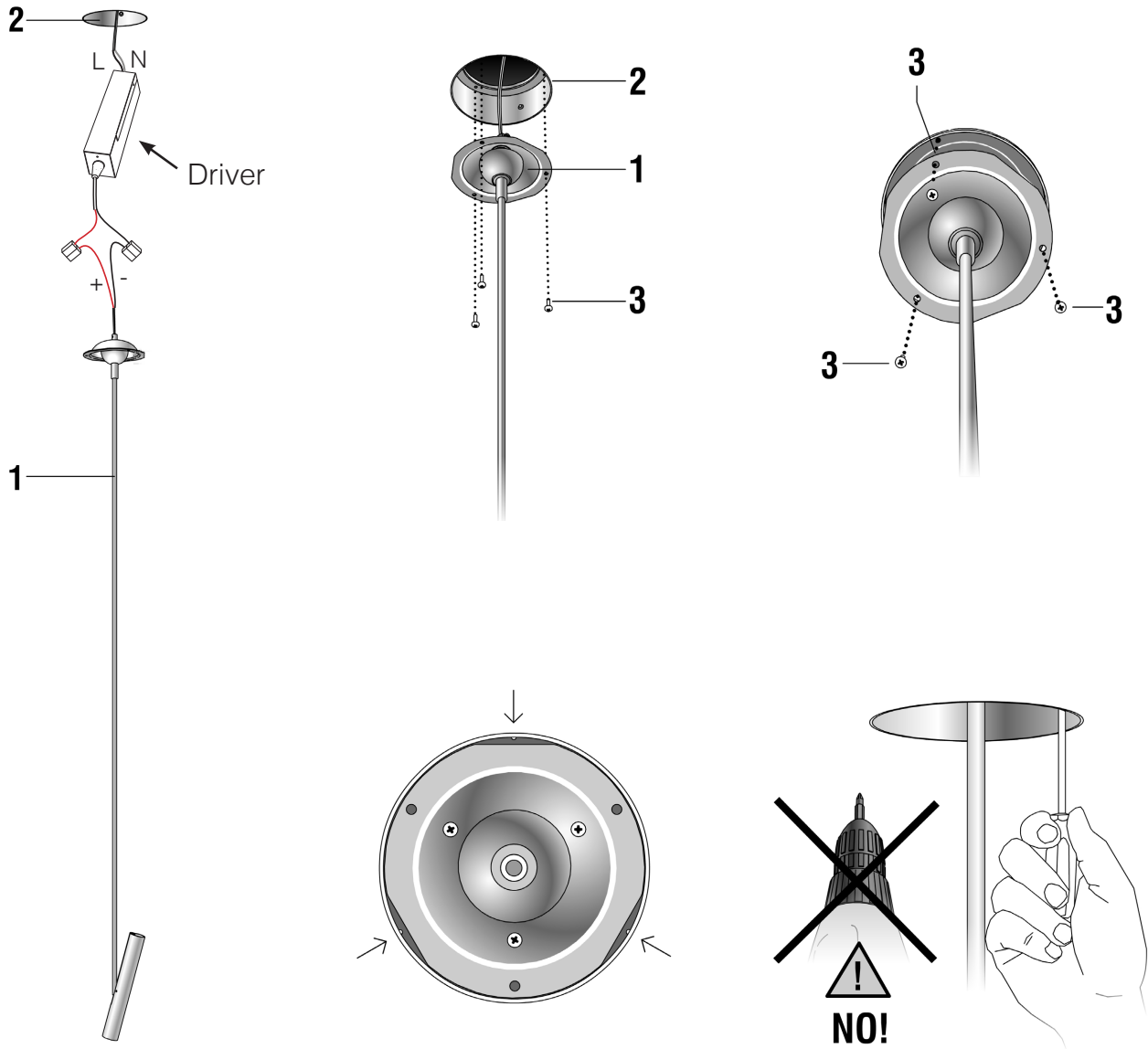
- 1) Once pointed the position of the lamp, cut the hole for the housing.
- 2) Place the housing on the side of the plasterboard plate that will remain invisible after the work is done.
- 3-4) Put some metal profiles to fix and reinforce the area of the housing.
- 5) Fix with screws, the housing to the plasterboard and to the reinforcement profiles.
- 6-7) Complete the false ceiling, plaster and trim.
- 8) Keep clean the inside of the housing.

# POP™ 12 L Ø 03

## INSTALLATION INSTRUCTIONS

TYPE:

PROJECT NAME:



INSTALLATION SHEET

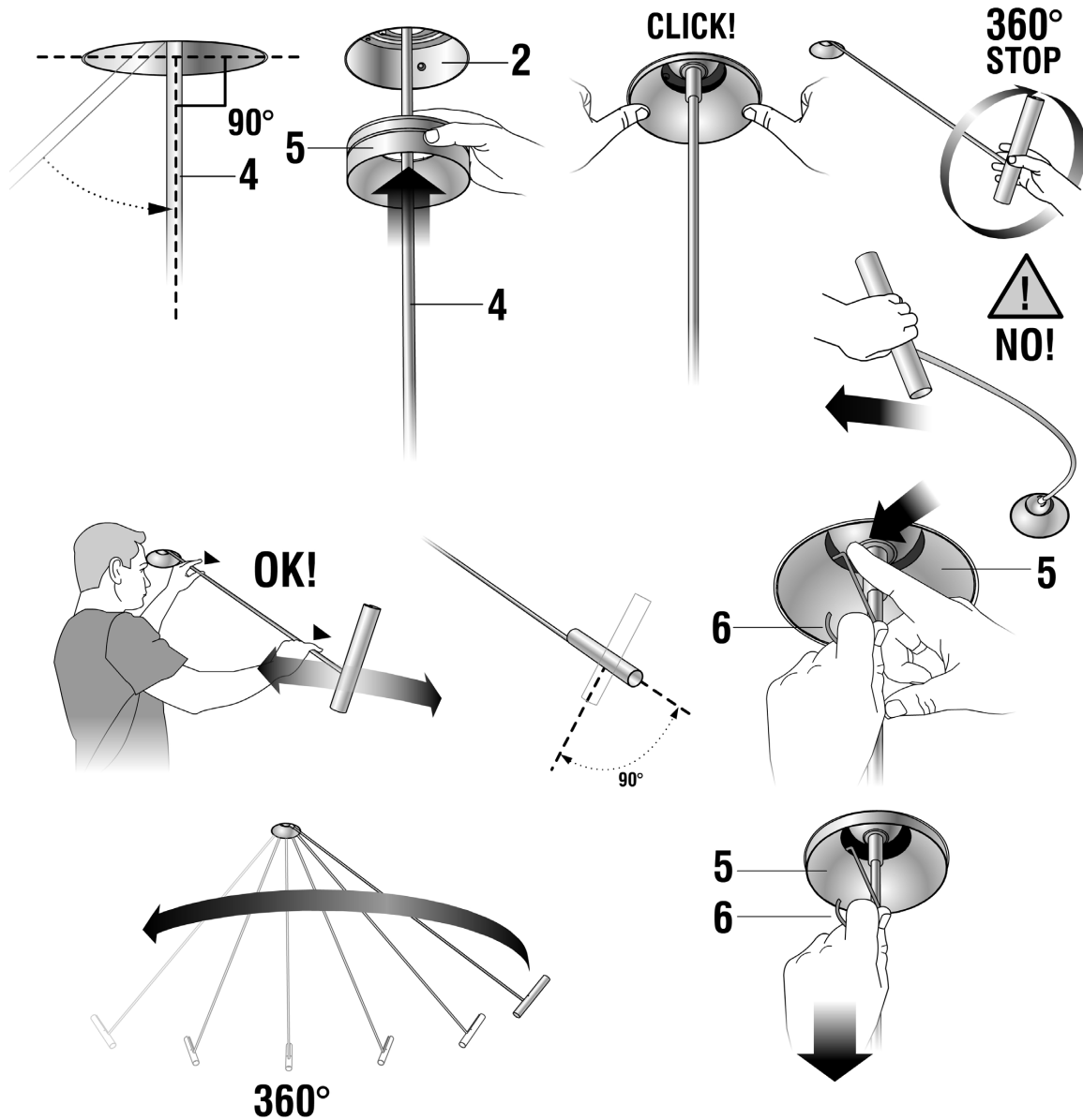
- Make the connections to the remote driver with connectors.
- Insert the lamp (1) in the housing beforehand built into the ceiling (2).
- Fix manually the body of the lamp (1) to the housing (2) with screws (3) using a screwdriver. (Avoid using powered screwdriver!)

# POP™ 12 L Ø 03

## INSTALLATION INSTRUCTIONS

TYPE:

PROJECT NAME:



- Place the tube (4) perpendicular to the ceiling. Then insert the element into the housing (2) and fix it pressing strongly on the border until the CLICK coupling.
- Tilting and rotating, adjust the lamp as required.
- For any kind of maintenance, when the lamp has to be removed, unfasten element (5) with the given hook (6)