

POP™ 12L Ø03

RECESSED

TYPE:

PROJECT NAME:



SPECIFICATION SHEET

Luminart®

WWW.LUMINARTLIGHTING.COM
Last updated: 03/03/25

POP™ 12L Ø03

RECESSED

TYPE:

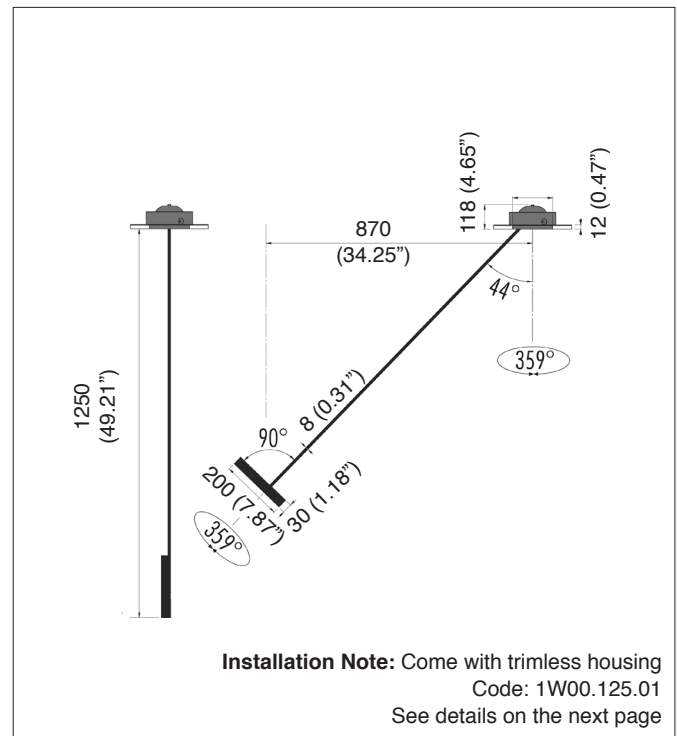
PROJECT NAME:



Mounting	Ceiling Recessed
Material	Metal body
LED	2700K, 3000K, 4000K
Dimmer	LTE / 0-10V
Ingress Protection	IP20
CRI	>95
Class	II
Lifetime	100.000h L80B10

- 02 White
 06 Black

Power	10W	
Luminaire Light Flux	2700K	989lm
	3000K	1061lm
	4000K	1151lm



ORDERING INFO

Model (Order Code)	Power	Finish Options	Optic Options	LED	Remote Driver Options
<input type="radio"/> L173P12L.2 without Honeycomb	<input type="radio"/> 1: 10W	<input type="radio"/> 02: White	<input type="radio"/> 1: 24°	<input type="radio"/> 2: 2700K	<input type="radio"/> LTE: 120V LTE
<input type="radio"/> L174P12L.2 with Honeycomb		<input type="radio"/> 06: Black		<input type="radio"/> 3: 3000K	<input type="radio"/> D10: 120-277V 0-10V
				<input type="radio"/> 4: 4000K	

SPECIFICATION SHEET

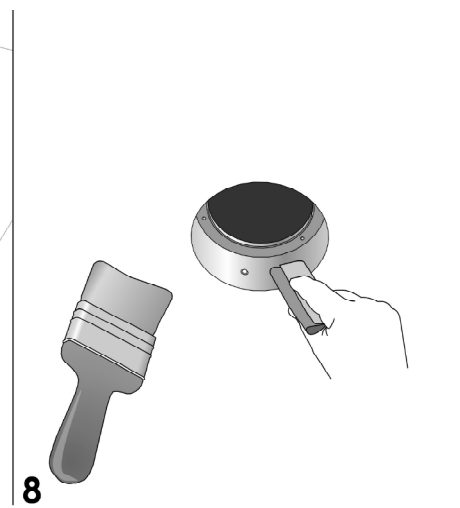
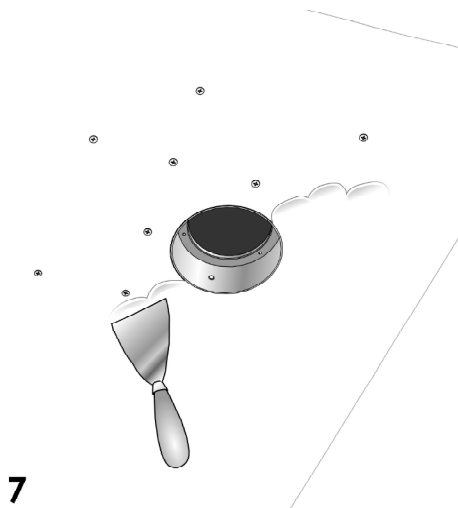
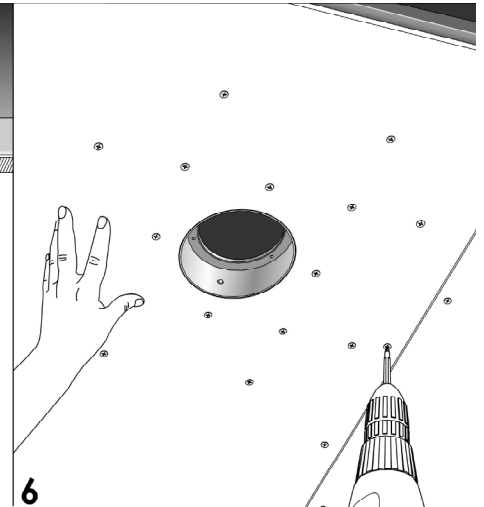
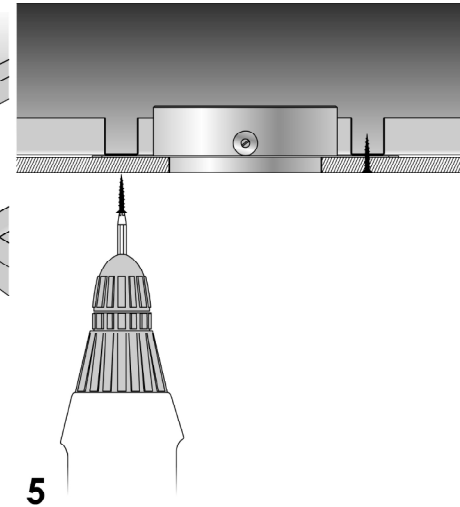
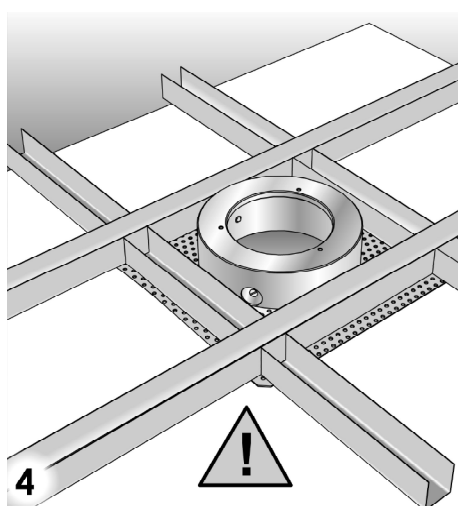
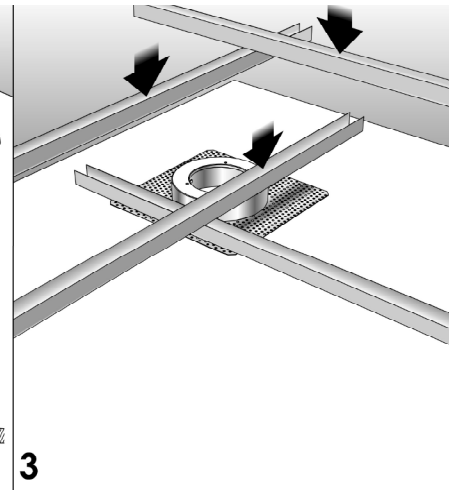
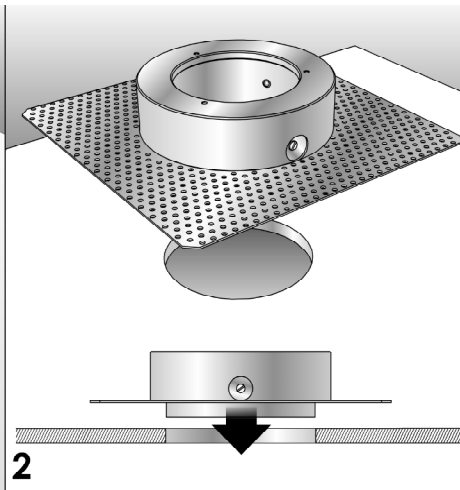
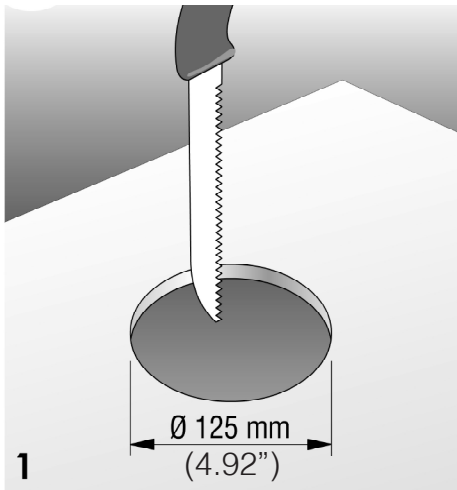


POP™ 12L Ø03

RECESSED

TYPE:

PROJECT NAME:



- 1) Once pointed the position of the lamp, cut the hole for the housing.
- 2) Place the housing on the side of the plasterboard plate that will remain invisible after the work is done.
- 3-4) Put some metal profiles to fix and reinforce the area of the housing.
- 5) Fix with screws, the housing to the plasterboard and to the reinforcement profiles.
- 6-7) Complete the false ceiling, plaster and trim.
- 8) Keep clean the inside of the housing.

POP™ 12L Ø03

CEILING

TYPE:

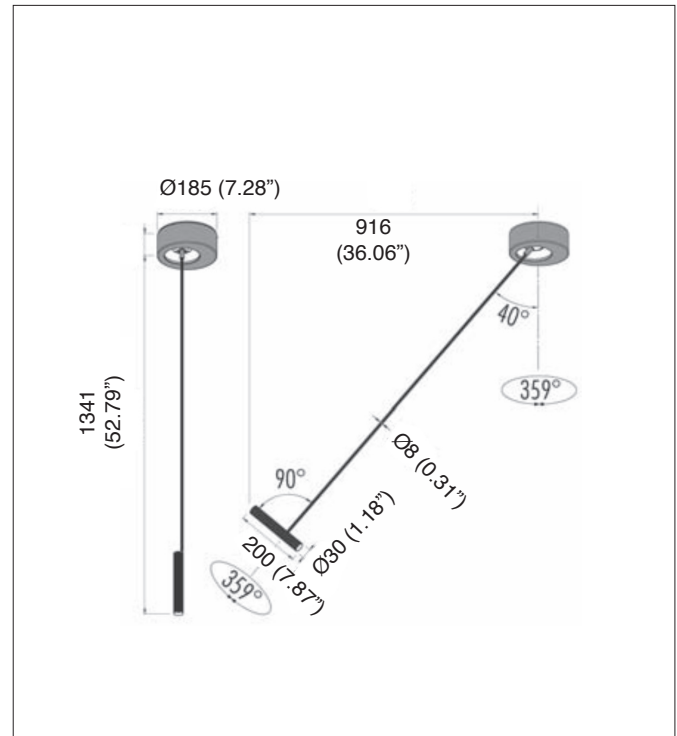
PROJECT NAME:



Mounting	Ceiling Mounted
Material	Metal body
LED	2700K, 3000K, 4000K
Dimmer	LTE / 0-10V
Ingress Protection	IP20
CRI	>95
Class	II
Lifetime	100.000h L80B10

- 02 White
 06 Black

Power	10W	
Luminaire Light Flux	2700K	989lm
	3000K	1061lm
	4000K	1151lm



ORDERING INFO

Model (Order Code)	Power	Finish Options	Optic Options	LED	Driver Options
<input type="radio"/> L173P12K.2 without Honeycomb	<input type="radio"/> 1: 10W	<input type="radio"/> 02: White	<input type="radio"/> 1: 24°	<input type="radio"/> 2: 2700K	<input type="radio"/> LTE: 120V LTE
<input type="radio"/> L174P12K.2 with Honeycomb		<input type="radio"/> 06: Black		<input type="radio"/> 3: 3000K	<input type="radio"/> D10: 120-277V 0-10V
				<input type="radio"/> 4: 4000K	

SPECIFICATION SHEET

