

POP™ 12 Ø 03

RECESSED

TYPE:

PROJECT NAME:



SPECIFICATION SHEET

POP™ 12 Ø 03

RECESSED

TYPE:

PROJECT NAME:



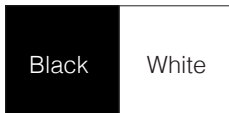
Color rendering: CRI >95

Current: 260 m/A

Ingress protection: IP20

Electrical: High efficiency electronic power supply, rated 50,000 hours 120V-277V

Finish options:

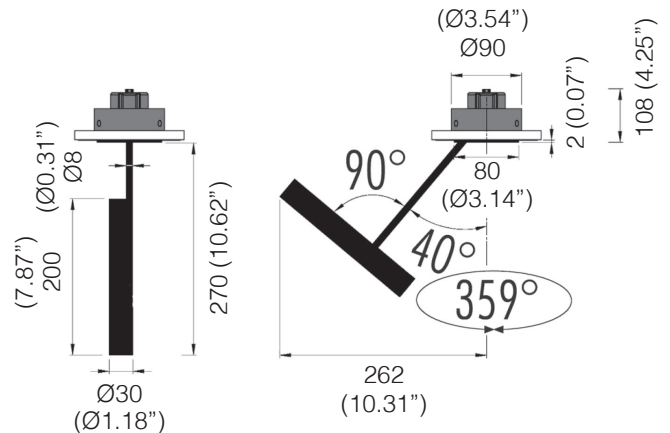


Input [W] 10W

2700K 989 lm

Lum. flux of light source [lm] 3000K 1061 lm

4000K 1151 lm



Installation Note: Come with trimless housing
Code:1Z00.080.01
See details on the next page

SPECIFICATION SHEET

ORDERING INFO

Model (Order Code)	Finish Options	Optic Options	LED	Remote Driver Options
<input type="radio"/> L173P12.2 without Honeycomb	<input type="radio"/> 02: Black	<input type="radio"/> 24: 24°	<input type="radio"/> 2: 2700K	<input type="radio"/> 120V LTE
<input type="radio"/> L174P12.2 with Honeycomb	<input type="radio"/> 06: White		<input type="radio"/> 3: 3000K	<input type="radio"/> 120V-277V 0-10V
			<input type="radio"/> 4: 4000K	

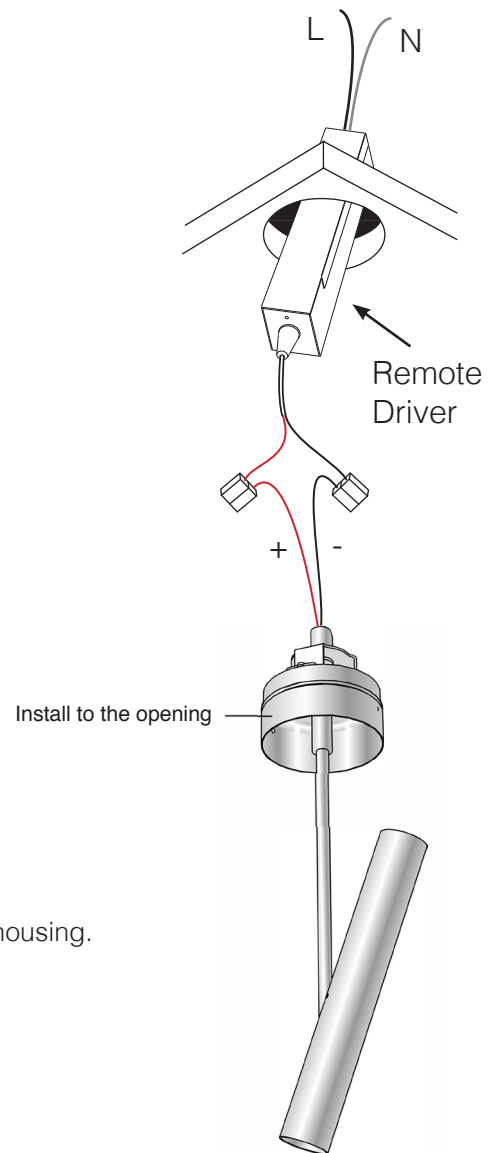
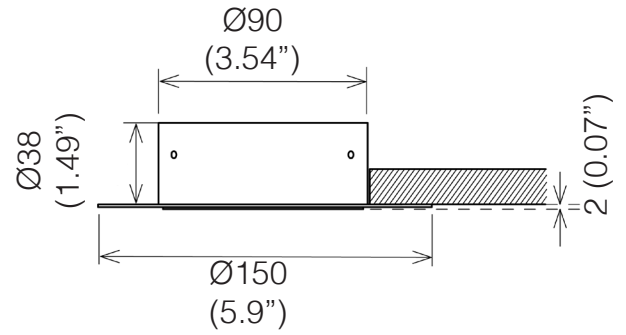
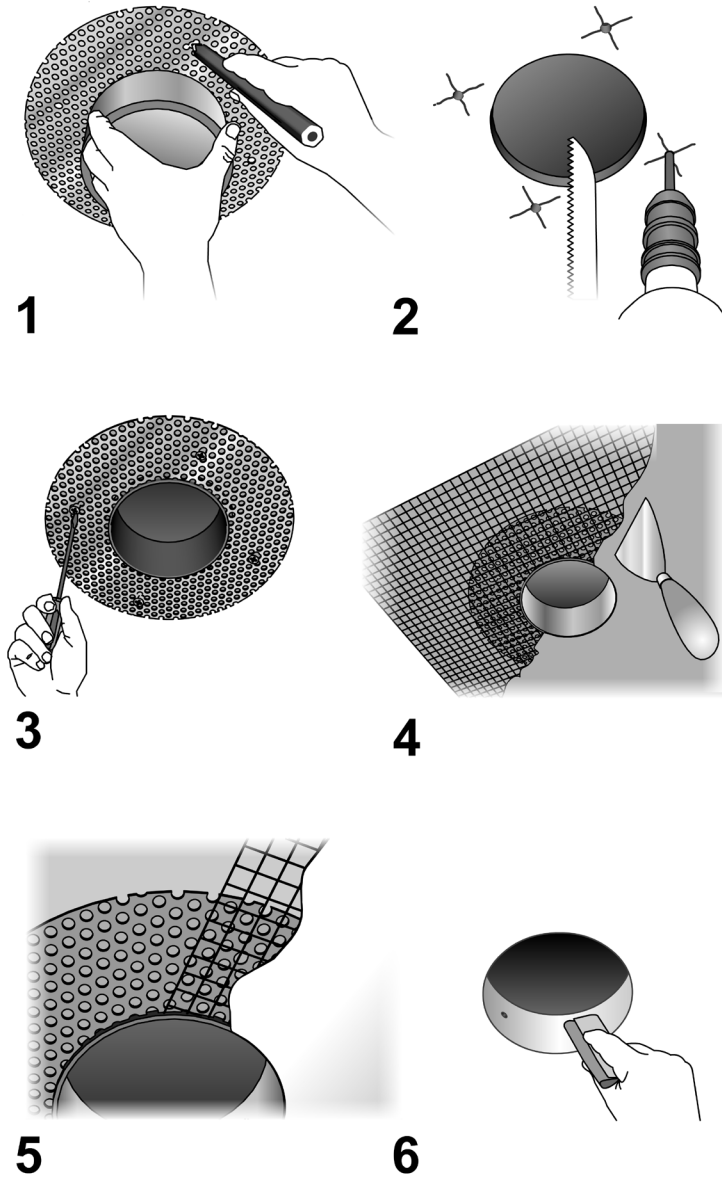


POP™ 12 Ø 03

RECESSED

TYPE:

PROJECT NAME:



SPECIFICATION SHEET

- Once pointed the position of the lamp, mark the fixing holes for the housing.
- Make the hole for the housing and the holes for the fixing rawlplugs.
- Fix the screws of the housing to the ceiling plaster board.
- Apply the proper grasping net.
- Plaster and trim the compensating 2mm (0.07") gap.
- Keep clean the inside of the housing.