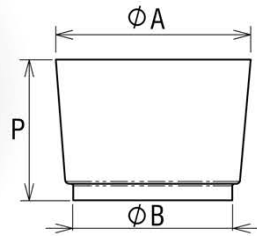
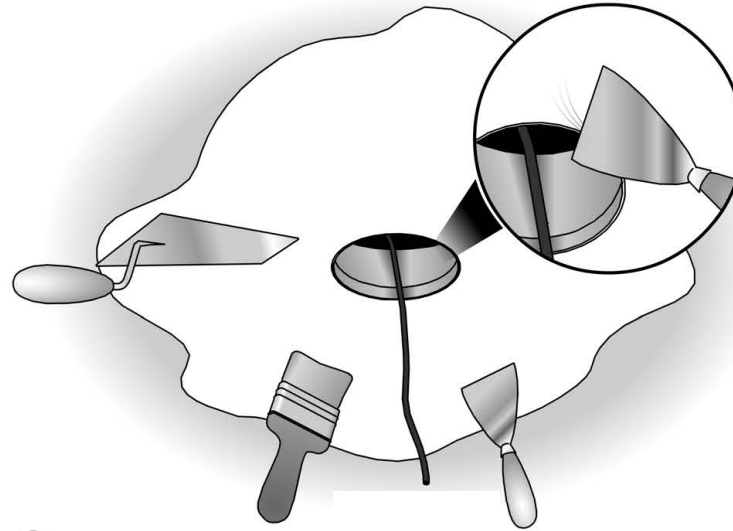


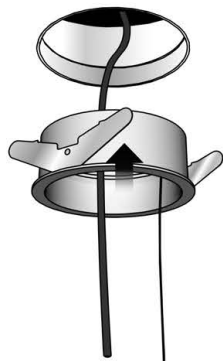
1



ØA	ØB	P
15.4	11.8	10
(6.06")	(4.64")	(3.93")



2



3

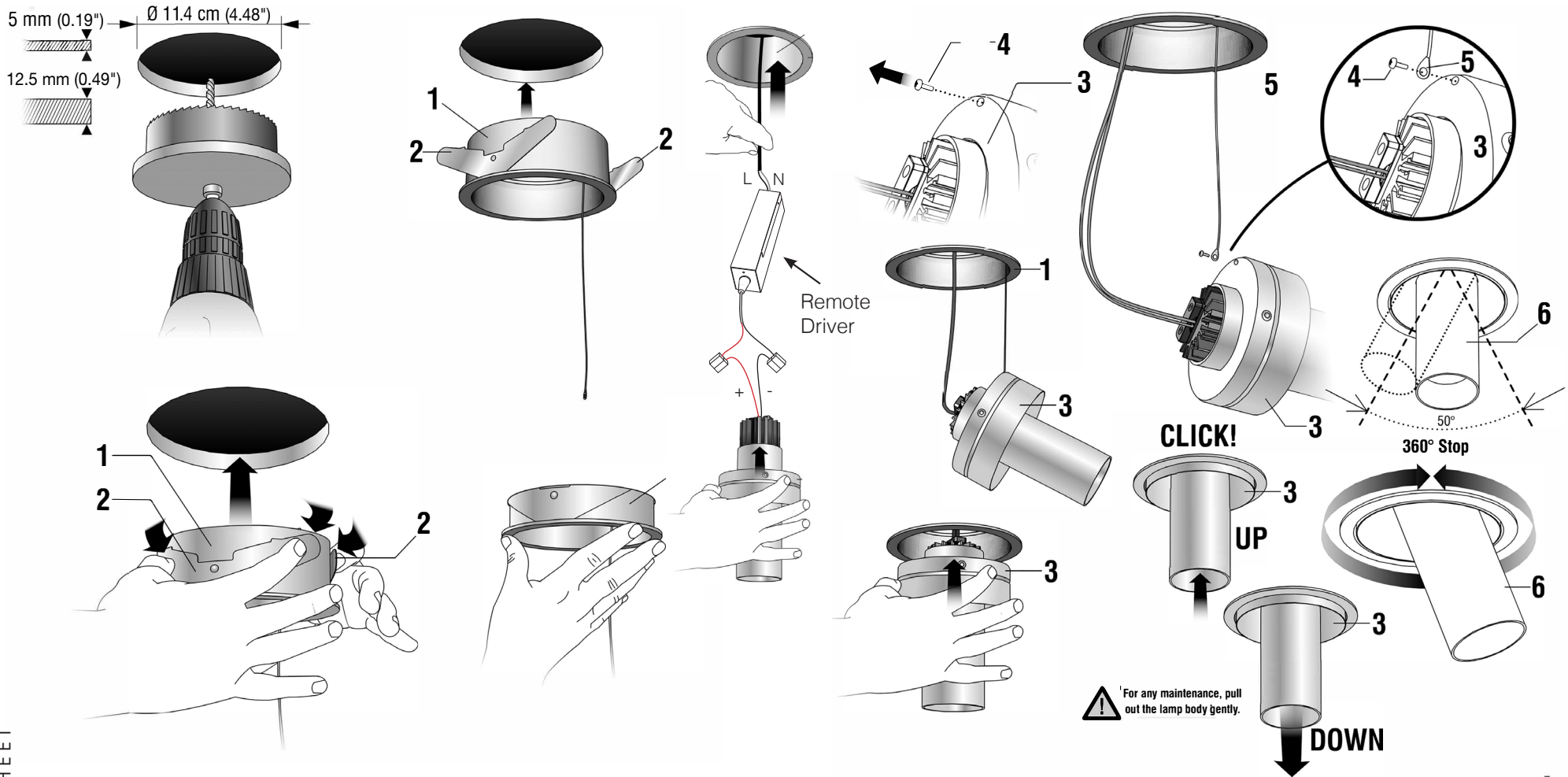
- 1) Form a recess in the ceiling for the brickwork housing.
- 2) Insert the power cables in to the brickwork housing and complete the ceiling with plaster finish.
- 3) Keep the inside brickwork housing clean. Install the item into the housing.

POP™ Y3

RECESSED

TYPE:

PROJECT NAME:



INSTALLATION SHEET

- Drill the ceiling with a cutter corresponding to the diameter 11.4 cm (4.48").
- Bend the springs (2) of the housing (1) to put it into the hole.
- Unscrew the screw (4) from the lamp body.
- Using the screw (4), fix the lamp body (3) to the safety anti-fall cable (5).

- Make the connection between the spot light and the remote driver.
- Put the lamp body (3) into (1), and click up.
- Adjust (6) as needed.
- To replace the LED light bulb, gently remove the body of the lamp (3) down.