

POP™ Y3 Ø10

RECESSED - TRIMLESS

TYPE:

PROJECT NAME:



SPECIFICATION SHEET

POP™ Y3 Ø10

RECESSED - TRIMLESS

TYPE:

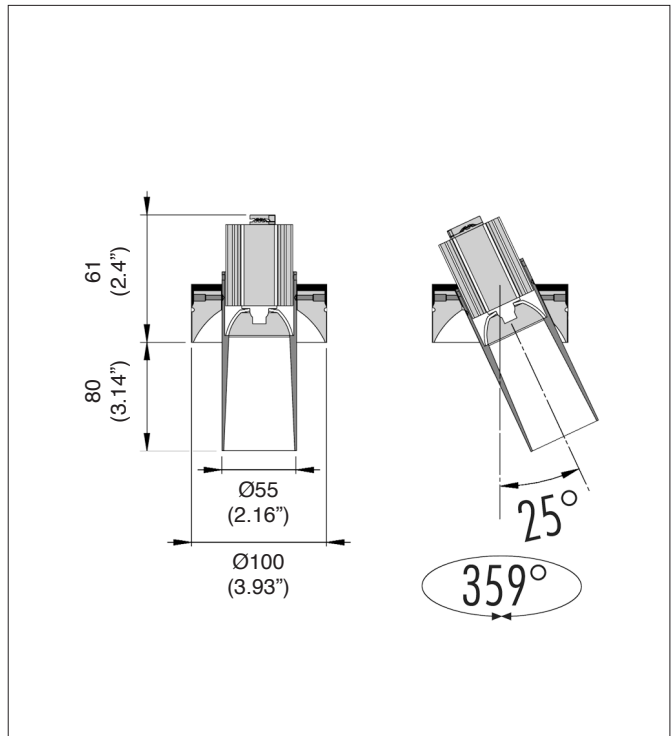
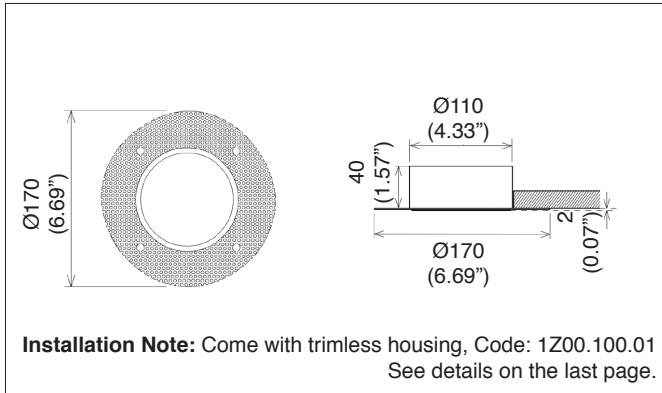
PROJECT NAME:



Mounting	Ceiling Recessed
Material	Metal body
LED	2700K, 3000K, 4000K
Dimmer	LTE / 0-10V
Ingress Protection	IP40
CRI	>95
Class	II
Lifetime	100.000h L80B10

02 White 06 Black

Power	11W	
Luminaire Light Flux	2700K	1195lm
	3000K	1257lm
	4000K	1313lm



ORDERING INFO

Model (Order Code)	Power	Finish Options	Optic Options	LED	Remote Driver Options
<input type="radio"/> L173PY3.3 without Honeycomb	<input type="radio"/> 1: 11W	<input type="radio"/> 02: White	<input type="radio"/> 1: 20°	<input type="radio"/> 2: 2700K	<input type="radio"/> LTE: 120V LTE
<input type="radio"/> L174PY3.3 with Honeycomb		<input type="radio"/> 06: Black		<input type="radio"/> 3: 3000K	<input type="radio"/> D10: 120-277V 0-10V
				<input type="radio"/> 4: 4000K	

SPECIFICATION SHEET



POP™ Y3 Ø10 NANO

RECESSED - TRIMLESS

TYPE:

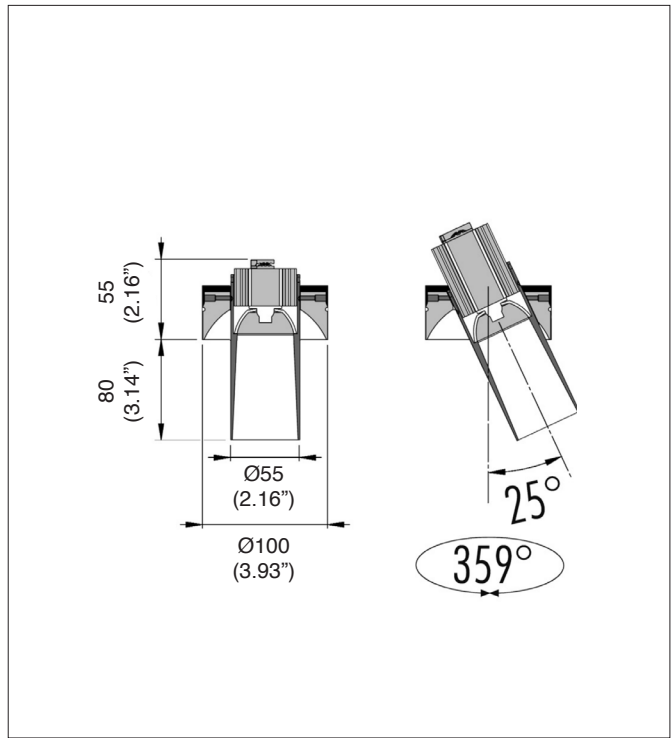
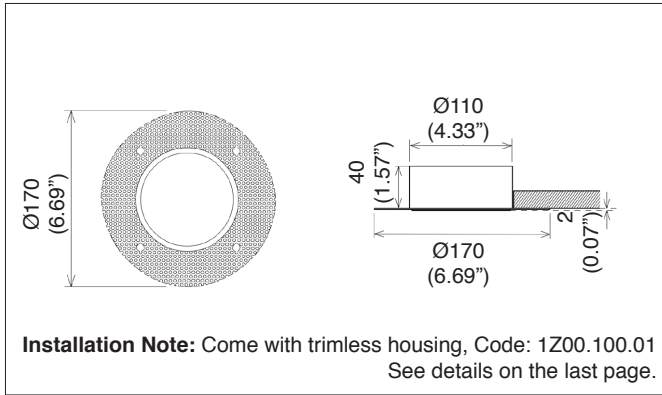
PROJECT NAME:



Mounting	Ceiling Recessed
Material	Metal body
LED	2700K, 3000K, 4000K
Dimmer	LTE / 0-10V
Ingress Protection	IP40
CRI	>95
Class	II
Lifetime	100.000h L80B10

03 White 05 Black

Power	8W	
Luminaire Light Flux	2700K	779lm
	3000K	819lm
	4000K	855lm



ORDERING INFO

Model (Order Code)	Power	Finish Options	Optic Options	LED	Remote Driver Options
<input type="radio"/> L173NY3.3 without Honeycomb <input type="radio"/> L174NY3.3 with Honeycomb	<input type="radio"/> 1: 8W	<input type="radio"/> 02: White <input type="radio"/> 06: Black	<input type="radio"/> 1: 20°	<input type="radio"/> 2: 2700K <input type="radio"/> 3: 3000K <input type="radio"/> 4: 4000K	<input type="radio"/> LTE: 120V LTE <input type="radio"/> D10: 120-277V 0-10V

SPECIFICATION SHEET

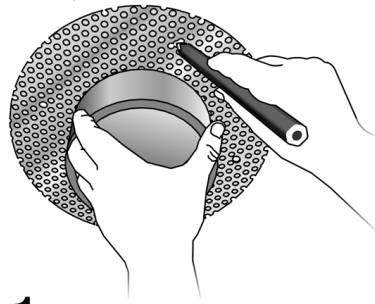


POP™ Y3 Ø10

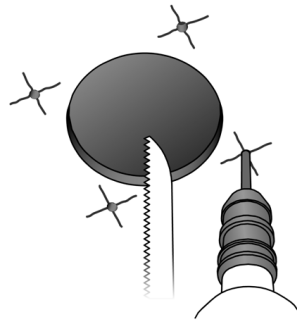
RECESSED - TRIMLESS

TYPE:

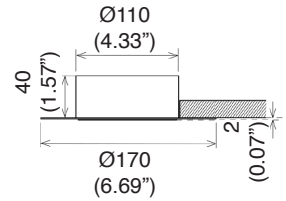
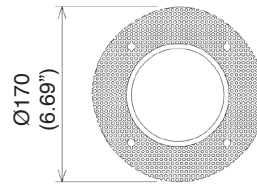
PROJECT NAME:



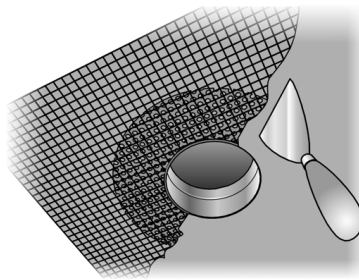
1



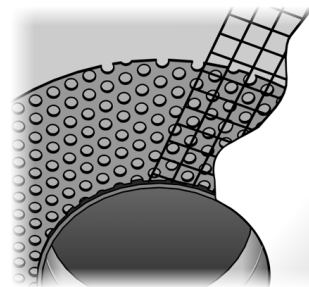
2



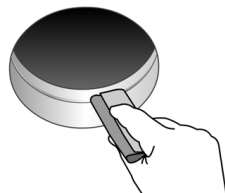
3



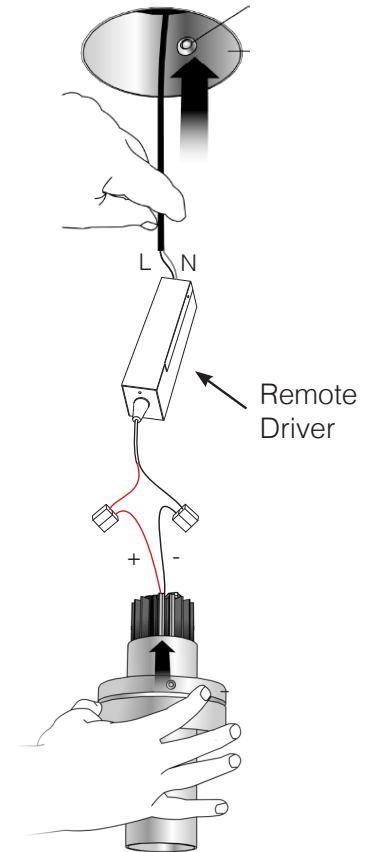
4



5



6



SPECIFICATION SHEET

- Once pointed the position of the lamp, mark the fixing holes for the housing.
- Make the hole for the housing and the holes for the fixing rawlplugs.
- Fix the screws of the housing to the ceiling plaster board.
- Apply the proper grasping net.
- Plaster and trim the compensating 2mm (0.07") gap.
- Keep clean the inside of the housing.