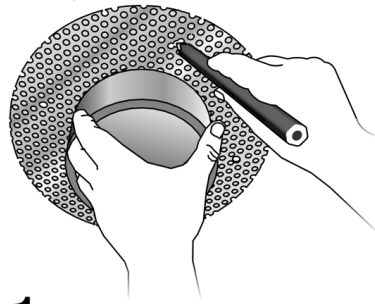


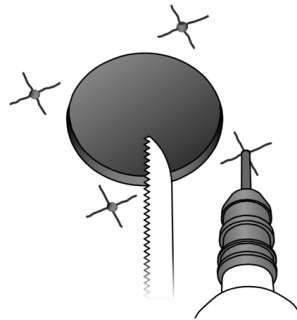
POP™ Y3 Ø10 TRIMLESS TYPE:

INSTALLATION INSTRUCTIONS

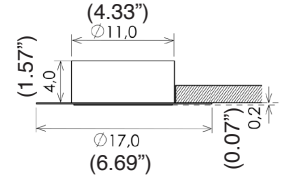
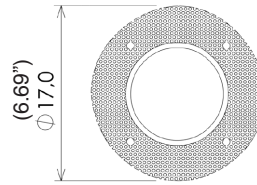
PROJECT NAME:



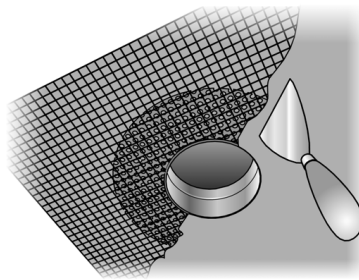
1



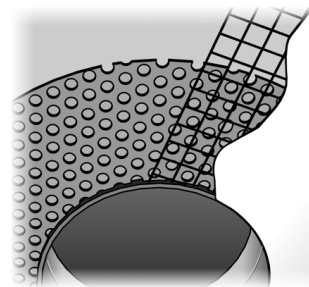
2



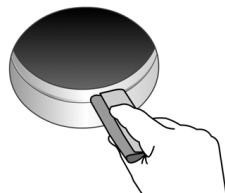
3



4



5



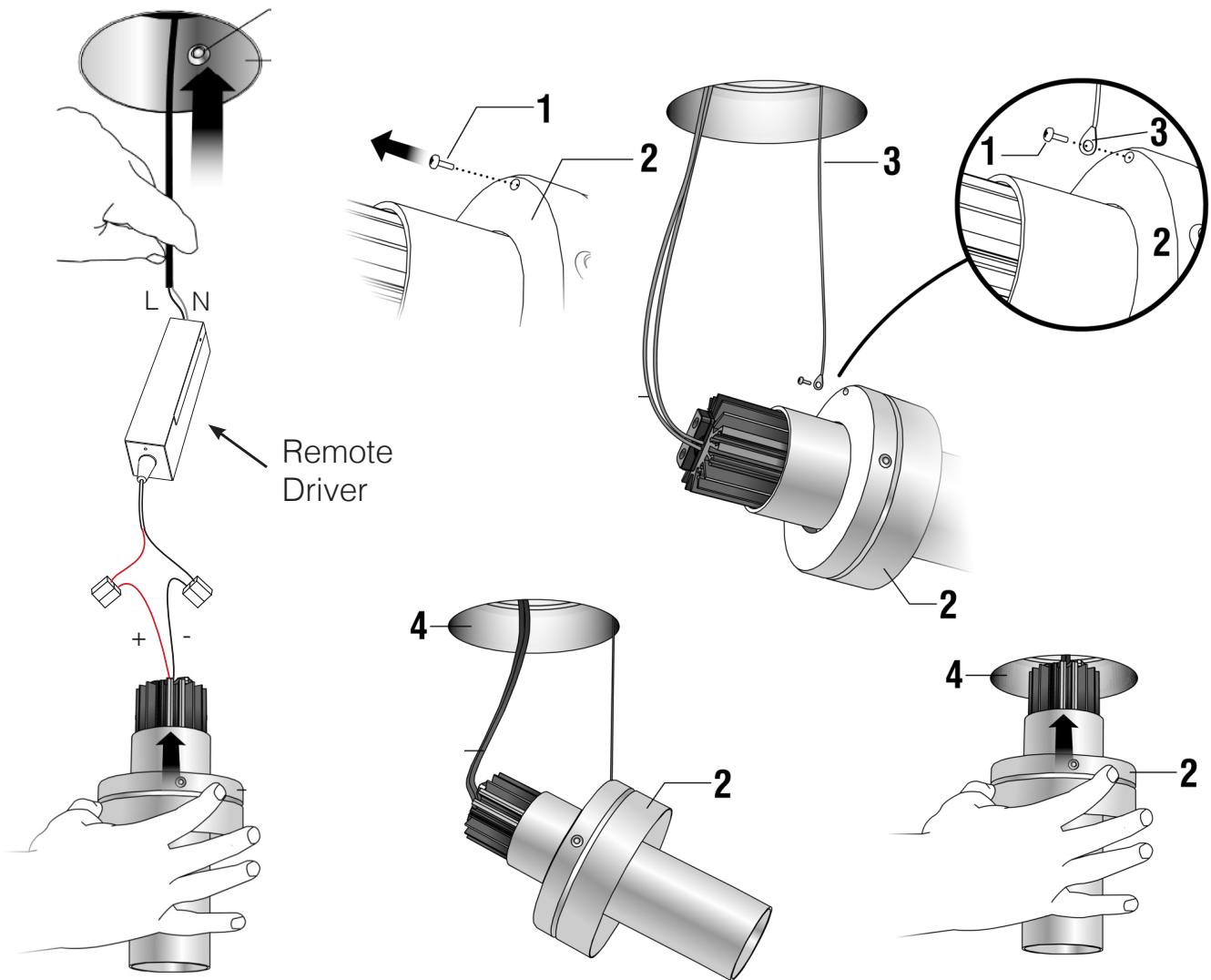
6

- INSTALLATION SHEET
- Once pointed the position of the lamp, mark the fixing holes for the housing.
 - Make the hole for the housing and the holes for the fixing rawlplugs.
 - Fix the screws of the housing to the ceiling plaster board.
 - Apply the proper grasping net.
 - Plaster and trim the compensating 2mm (0.07") gap.
 - Keep clean the inside of the housing.

POP™ Y3 Ø10 TRIMLESS TYPE:

INSTALLATION INSTRUCTIONS

PROJECT NAME:



Remote Driver

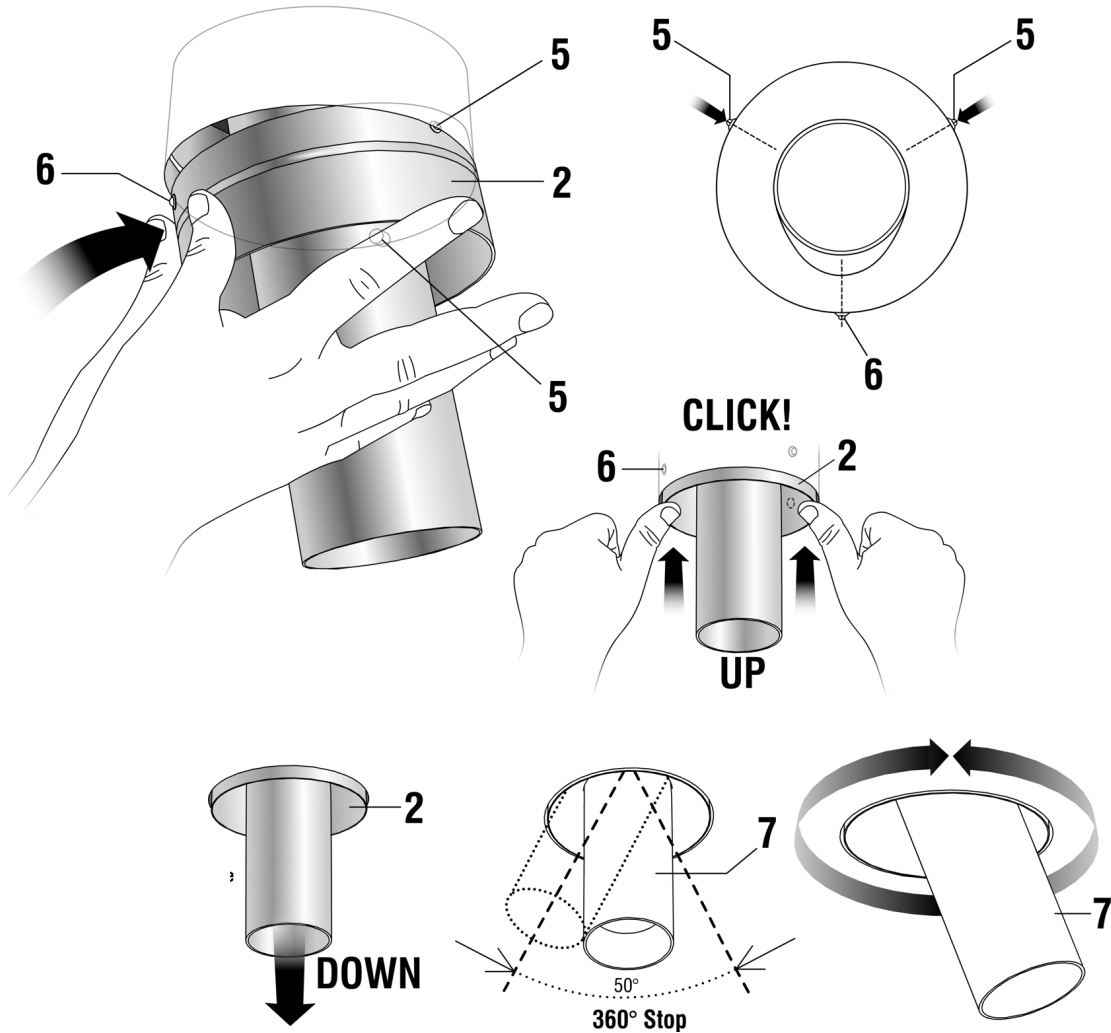
INSTALLATION SHEET

- Unscrew the screw 1 from body 2.
- Using the screw 1 to fix the body 2 to safty anti-fall cable 3.
- Make the connection of the spot light to the remote driver.

POP™ Y3 Ø10 TRIMLESS TYPE:

INSTALLATION INSTRUCTIONS

PROJECT NAME:



INSTALLATION SHEET

- Put body 2 in to housing 4 in the ceiling. Tilting it slightly and inserting first two of the three ball presser 6, then push until click up.
- Adjust 7 as required.