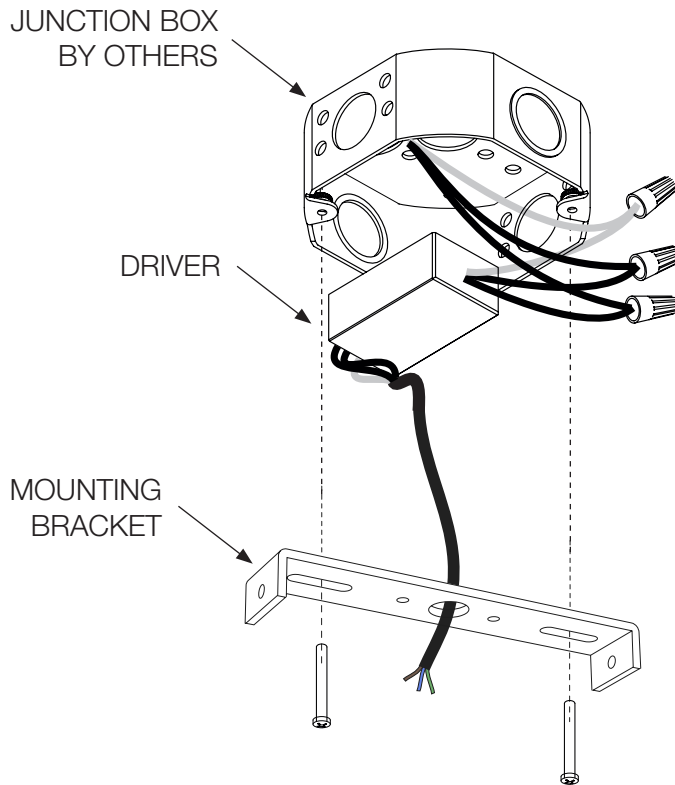
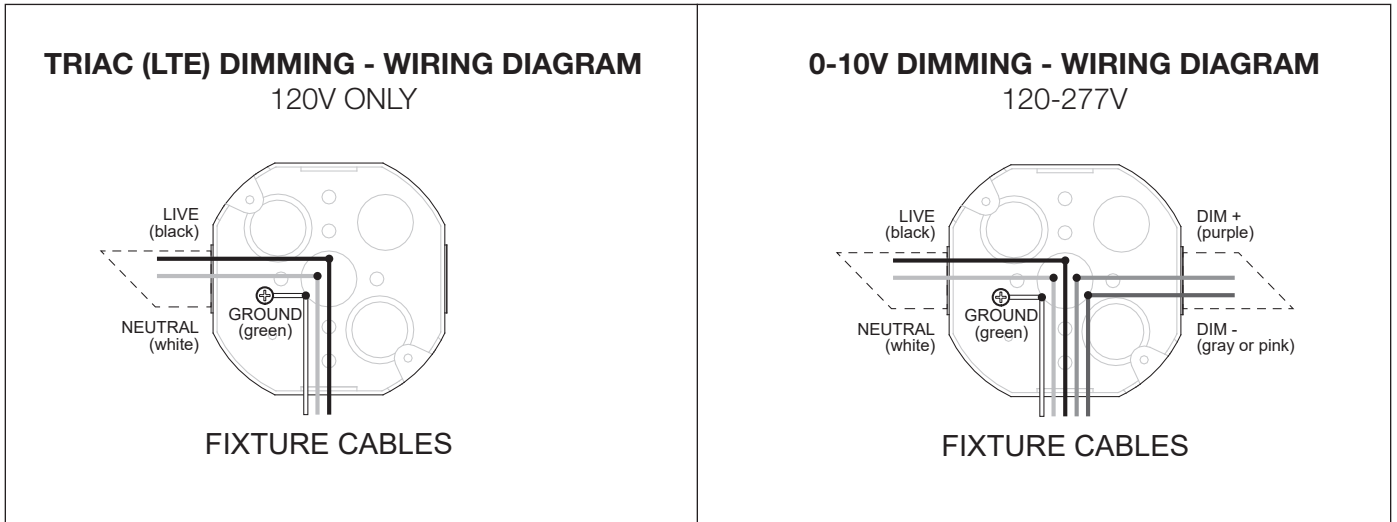


WIRING DIAGRAM



A

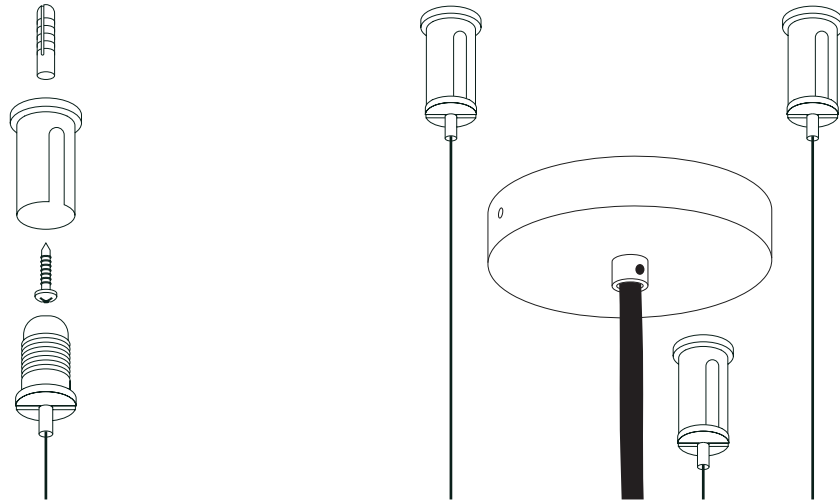
Make the connections by following the wiring diagram. Position the driver in the Junction box and fasten the crossbar to the J box with screws.

TOAD™

INSTALLATION INSTRUCTIONS

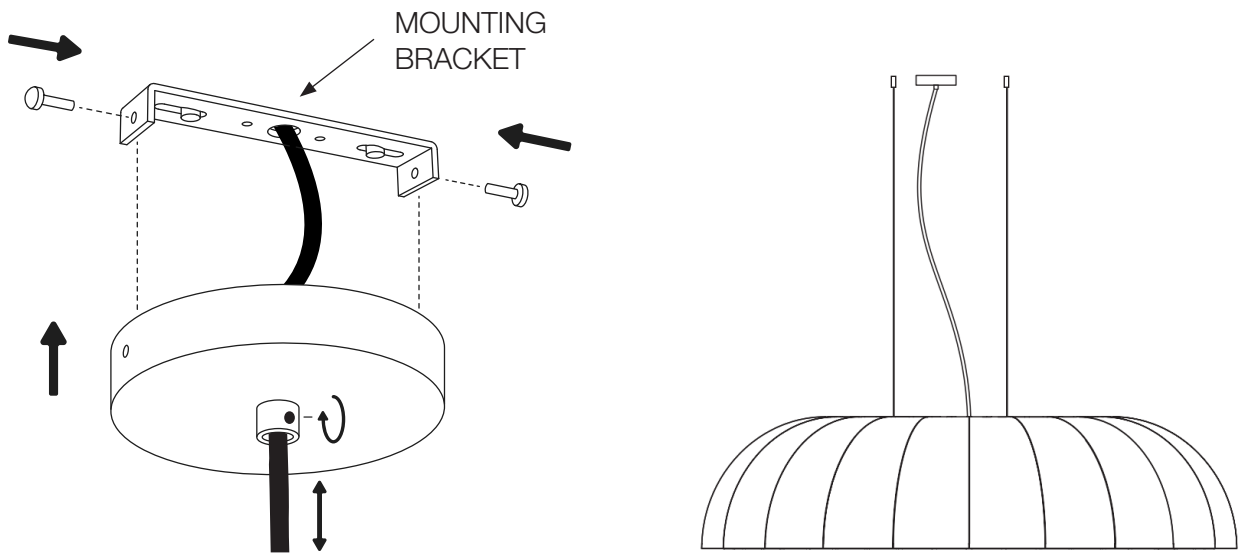
TYPE:

PROJECT NAME:



B

Screw the aircraft cable grippers into the ceiling before adjusting the length, as shown in the drawings above. Adjust the aircraft cable grippers as shown above.



C

Connect the ceiling canopy to the bracket using 2 screws. Adjust the cable using the side screw.