

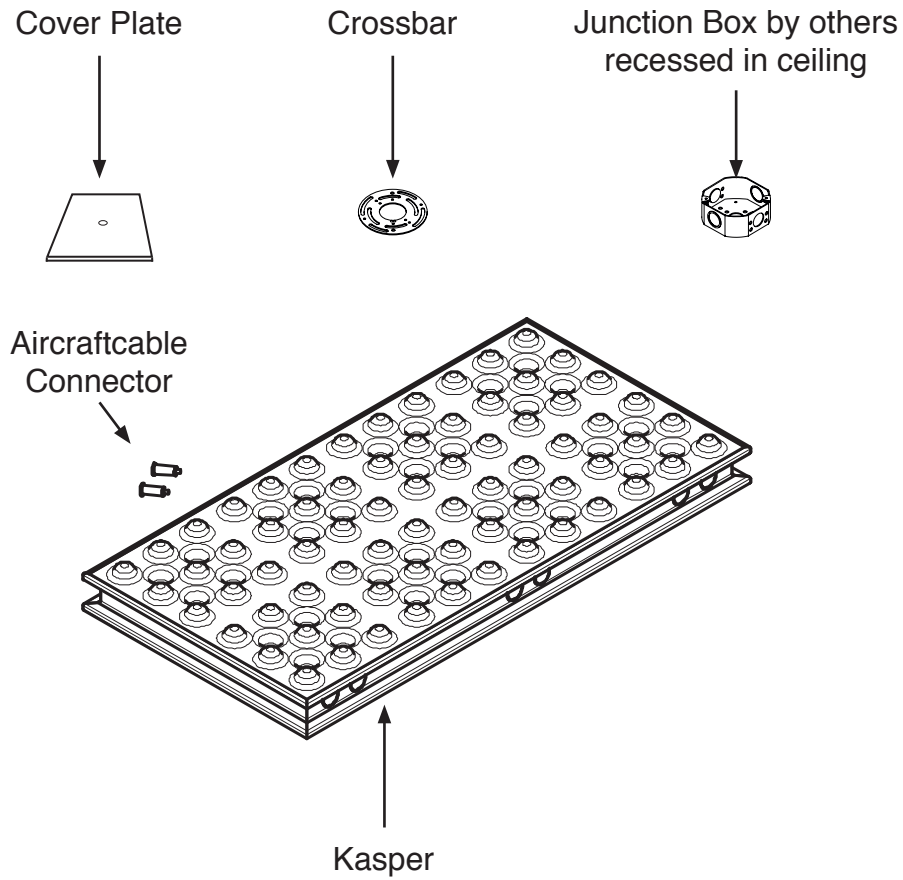
KASPER™ VERTICAL

INSTALLATION INSTRUCTIONS

TYPE:

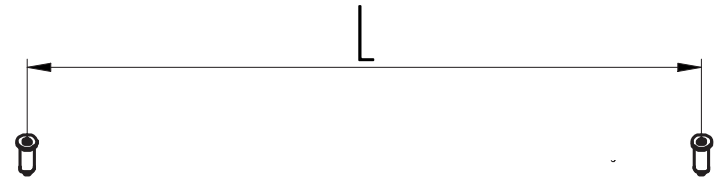
PROJECT NAME:

1



2

Distance between holes.



VERSION	L
x8	12.12"
x16	43.62"

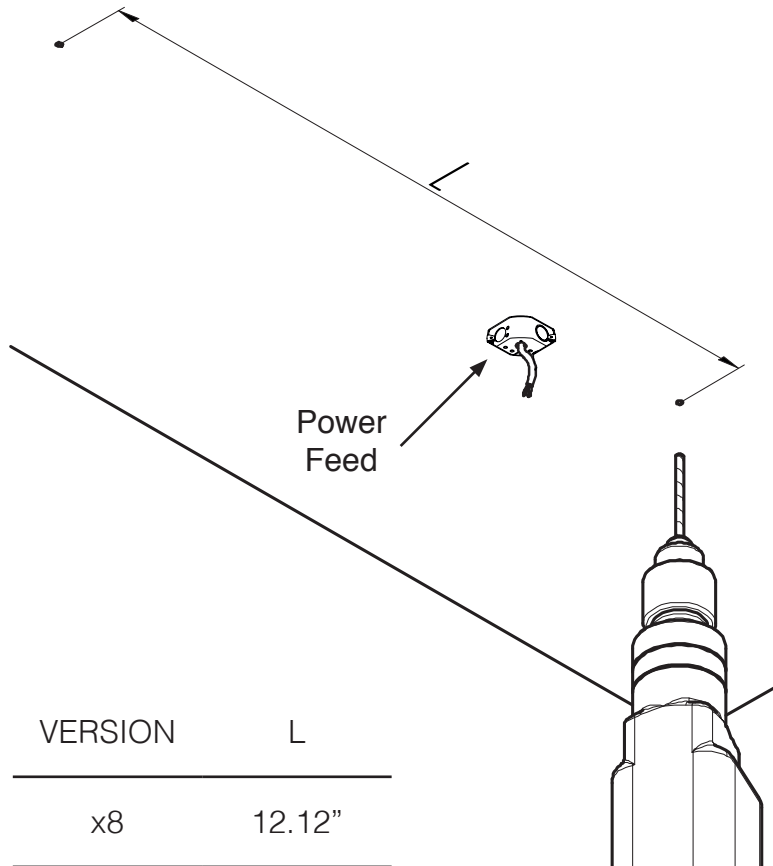
KASPER™ VERTICAL

INSTALLATION INSTRUCTIONS

TYPE:

PROJECT NAME:

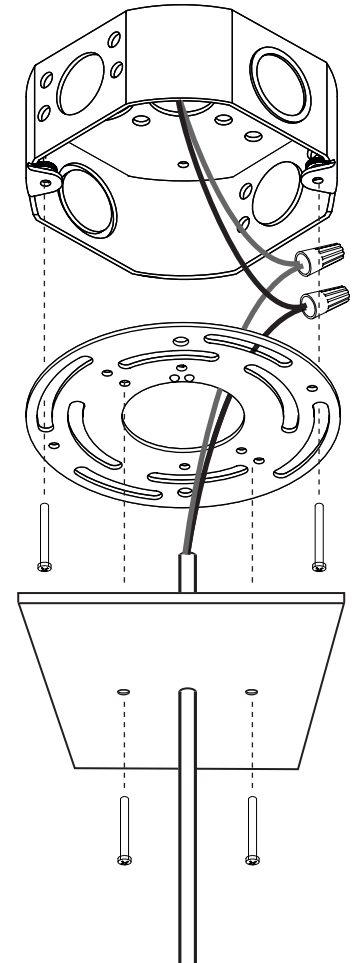
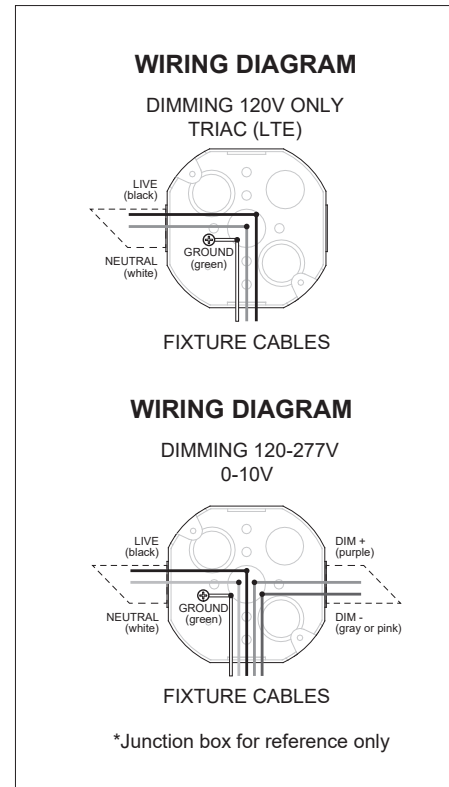
3 Drill the holes base on the measurement below.



Power Feed

VERSION	L
x8	12.12"
x16	43.62"

4 Make the connections between fixture and power feed. Install the cover plate and crossbar to the Jbox.



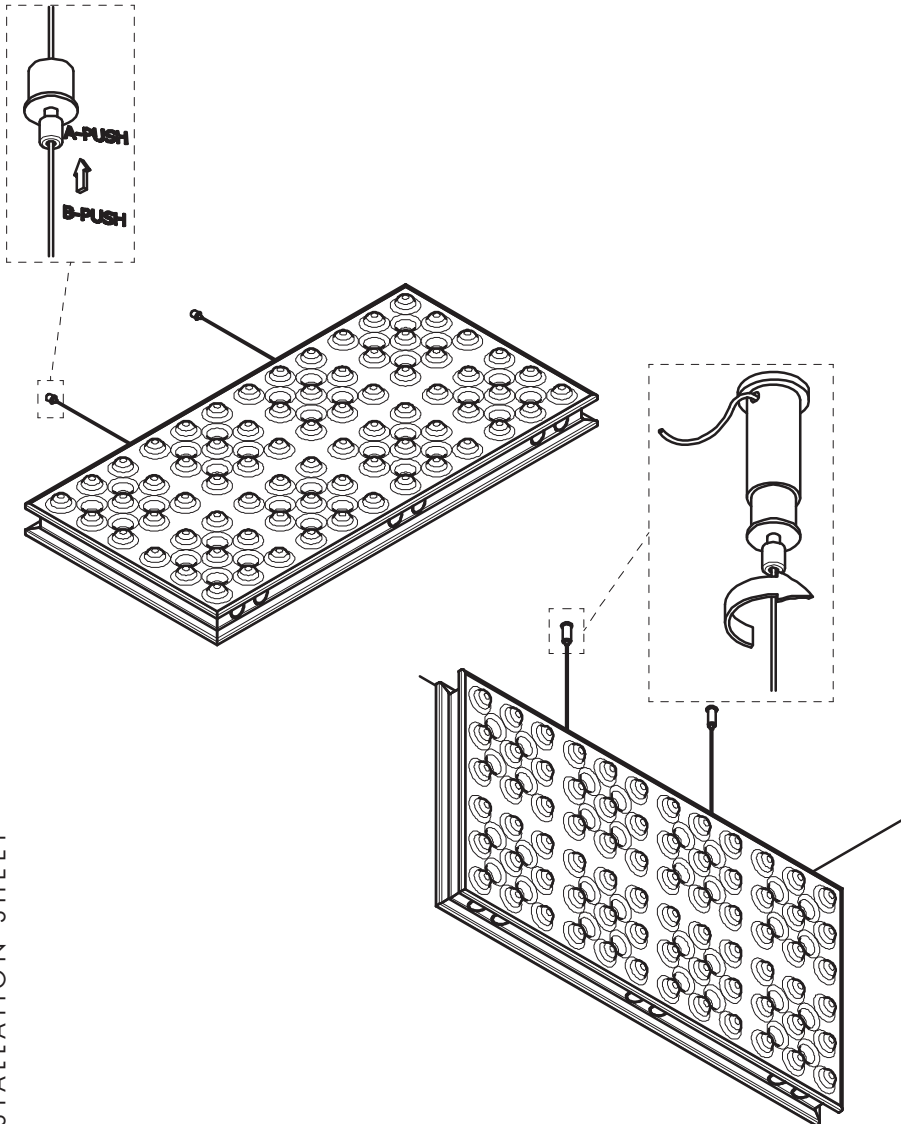
KASPER™ VERTICAL

INSTALLATION INSTRUCTIONS

TYPE:

PROJECT NAME:

5 Install the aircraft cable and connector to the holes.



6 Adjust the cable length, and cut the rest.

