

JUNIPER

SUSPENSION

TYPE:

PROJECT NAME:



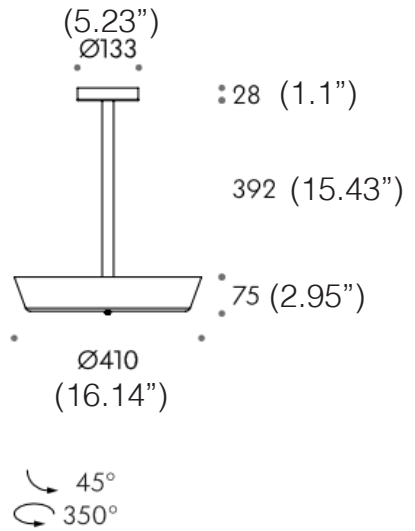
SPECIFICATION SHEET

JUNIPER 400

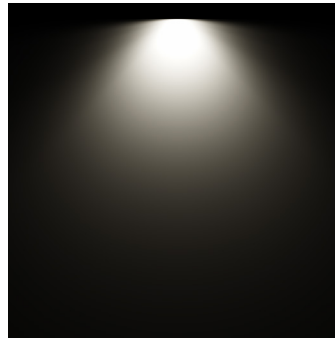
SUSPENSION

TYPE:

PROJECT NAME:



light visualization 94°



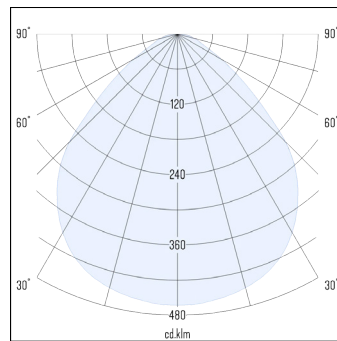
Light source

source type	LED
source quantity	1
color temp. - source	3000K
color rendering index	CRI 90
energy class source	D

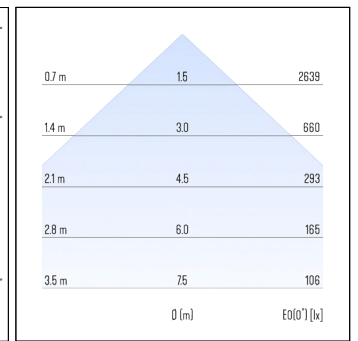
Product data

power, flux	24W 1x 2790 lm
unified glare rating	UGR-19
ingress protection	IP20
protection class	I
power supply	120V 50/60Hz
installation	surface-mounted, ceiling
material - body	aluminum
product dimensions (mm)	ø410 x h495
tilt and axis adjustment capability	vertical axis 350° / horizontal axis along 45°
warranty (years)	5

polar curve



cone diagram



SPECIFICATION SHEET

ORDERING INFO

L543.4411.12.930	-	-	-
Model (Order Code)	Finish	LED	Driver Options
	<input type="radio"/> Black <input type="radio"/> White <input type="radio"/> Terracotta <input type="radio"/> Ocean Grey <input type="radio"/> Warm Dust	<input type="radio"/> 3000K <input type="radio"/> 4000K	<input type="radio"/> 120V Phase Dimming <input type="radio"/> 120V 0-10V Dimming <input type="radio"/> 277V 0-10V Dimming



Luminart®

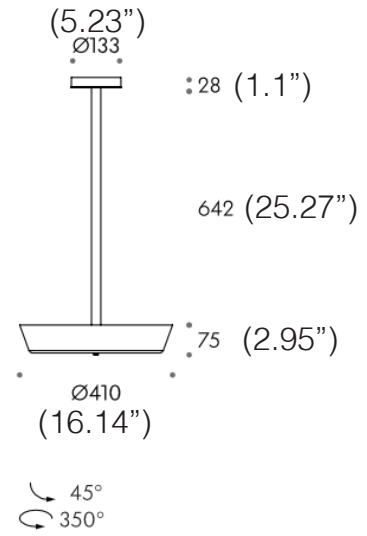
WWW.LUMINARTLIGHTING.COM

JUNIPER 650

SUSPENSION

TYPE:

PROJECT NAME:



light visualization 94°



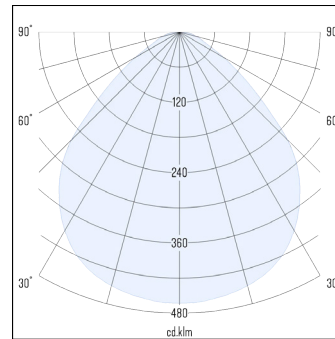
Light source

source type	LED
source quantity	1
color temp. - source	3000K
color rendering index	CRI 90
energy class source	D

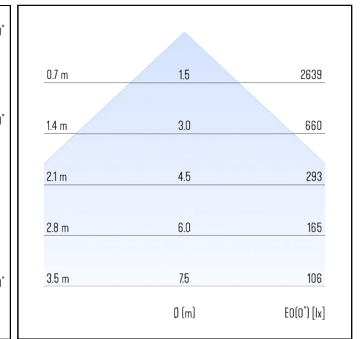
Product data

power, flux	24W 1x 2790 lm
unified glare rating	UGR-19
ingress protection	IP20
protection class	I
power supply	120V 50/60Hz
installation	surface-mounted, ceiling
material - body	aluminum
product dimensions (mm)	ø410 x h745
tilt and axis adjustment capability	vertical axis 350° / horizontal axis along 45°
warranty (years)	5

polar curve



cone diagram



SPECIFICATION SHEET

ORDERING INFO

L543.4414.12.930	-	-	-
Model (Order Code)	Finish	LED	Driver Options
	<input type="radio"/> Black <input type="radio"/> White <input type="radio"/> Terracotta <input type="radio"/> Ocean Grey <input type="radio"/> Warm Dust	<input type="radio"/> 3000K <input type="radio"/> 4000K	<input type="radio"/> 120V Phase Dimming <input type="radio"/> 120V 0-10V Dimming <input type="radio"/> 277V 0-10V Dimming

