

POP HOST™

WALL SUSPENSION

TYPE:

PROJECT NAME:



SPECIFICATION SHEET

Luminart®

WWW.LUMINARTLIGHTING.COM
Last updated: 05/12/25

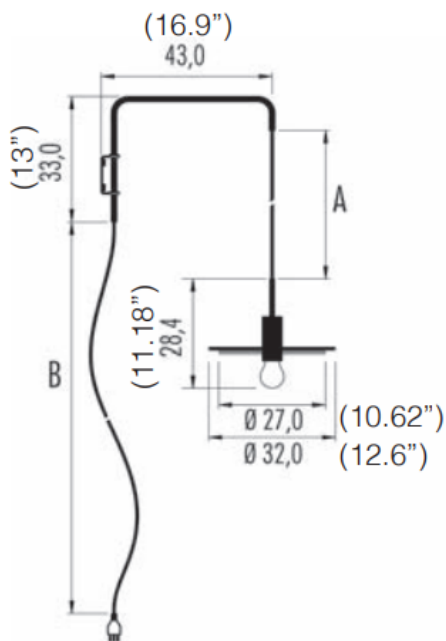
POP HOST™

WALL SUSPENSION

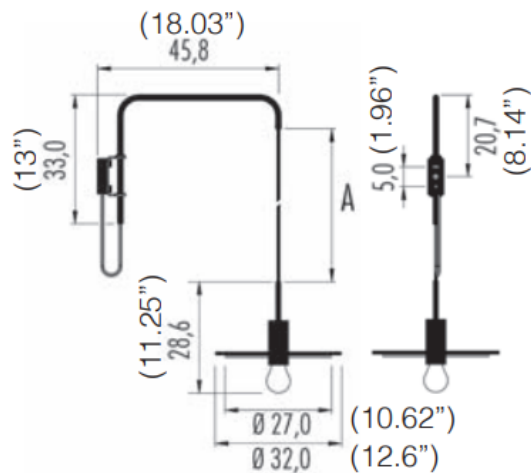
TYPE:

PROJECT NAME:

POP HOST T - PLUGIN VERSION



POP HOST N - HARDWIRED VERSION



IP20 ⓘ **A+B=360cm (141.7")**

120V e26 7W CRI>80

L173H32T.12L ⓘ dimm. IGBT - Triac

Led color Nominal lm Beam spread
2700K 806 180°

ⓘ Up Down Diffuser color

KS	●	●	Black/Brass
WS	○	●	White/Brass
BS	●	●	Blue/Brass
GS	●	●	Green/Brass
PS	●	●	Rose/Brass
RS	●	●	Red/Brass

IP20 ⓘ **A= max. 140cm (55.11")**

120V e26 7W CRI>80

L173H32N.12L ⓘ dimm. IGBT - Triac

Led color Nominal lm Beam spread
2700K 806 180°

Hardwired version comes with a 4" backplate that mounts to a standard junction box.

SPECIFICATION SHEET

ORDERING INFO

Model (Order Code)

- L173H32T.12L Plug-in Version
- L173H32N.12L Hardwire Version

Finish Options

- KS: Black / Brass
- WS: White / Brass
- BS: Blue / Brass
- GS: Green / Brass
- PS: Rose / Brass
- RS: Red / Brass

Voltage

- 120V LTE



Luminart®

WWW.LUMINARTLIGHTING.COM

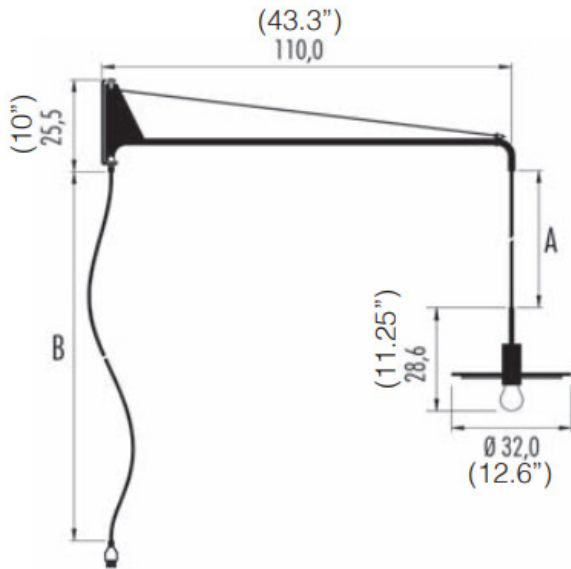
POP HOST™

WALL SUSPENSION

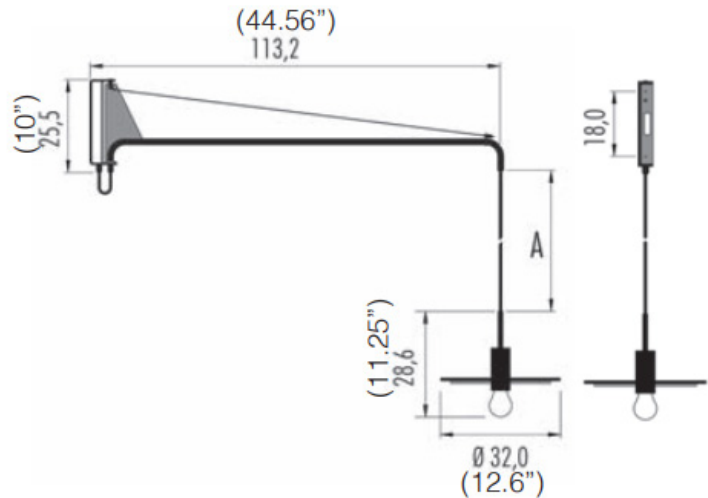
TYPE:

PROJECT NAME:

POP HOST L - PLUGIN VERSION



POP HOST M - HARDWIRED VERSION



IP20	Ⓛ	A+B=300cm (118")
120V	e26 7W	CRI>80
L173H32L.12L.	<input type="checkbox"/>	dim. IGBT - Triac
<i>Led color</i>	<i>Nominal lm</i>	<i>Beam spread</i>
2700K	806	180°

IP20	Ⓛ	A= max. 130cm (51")
120V	e26 7W	CRI>80
L173H32M.12L.	<input type="checkbox"/>	dim. IGBT - Triac
<i>Led color</i>	<i>Nominal lm</i>	<i>Beam spread</i>
2700K	806	180°

<input type="checkbox"/>	Up	Down	Diffuser color
KS	●	●	Black/Brass
WS	○	●	White/Brass
BS	●	●	Blue/Brass
GS	●	●	Green/Brass
PS	●	●	Rose/Brass
RS	●	●	Red/Brass

Hardwired version comes with a 4" backplate that mounts to a standard junction box.

SPECIFICATION SHEET

ORDERING INFO

Model (Order Code)	Finish Options	Voltage
<input type="radio"/> L173H32L.12L Plug-in Version	<input type="radio"/> KS: Black / Brass	<input type="radio"/> 120V LTE
<input type="radio"/> L173H32M.12L Hardwire Version	<input type="radio"/> WS: White / Brass	
	<input type="radio"/> BS: Blue / Brass	
	<input type="radio"/> GS: Green / Brass	
	<input type="radio"/> PS: Rose / Brass	
	<input type="radio"/> RS: Red / Brass	

