

IBIS

FLOOR/WALL/CEILING

TYPE:

PROJECT NAME:



SPECIFICATION SHEET

IBIS

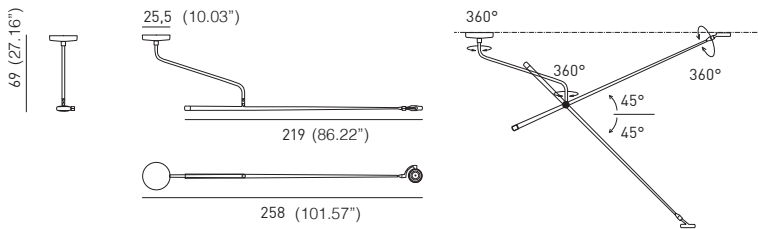
FLOOR/WALL/CEILING

TYPE:

PROJECT NAME:

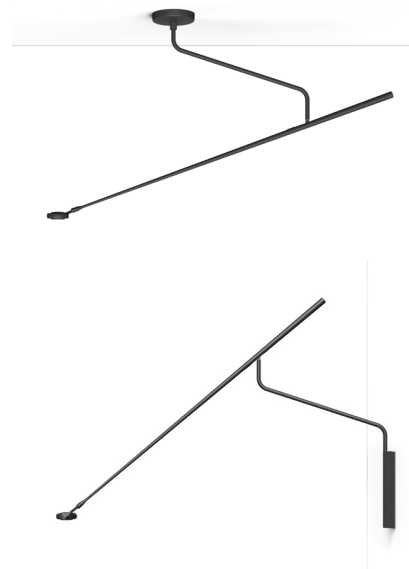
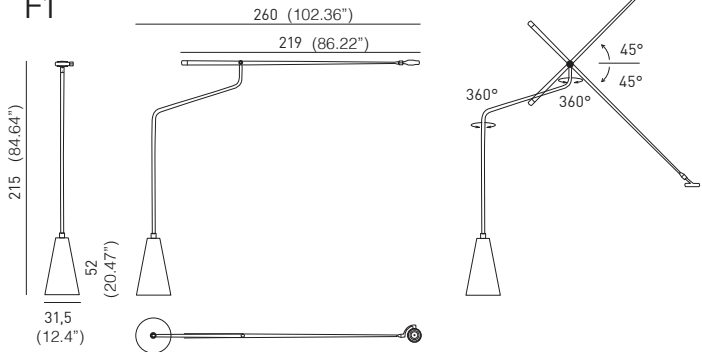
Ceiling mounted base

H1



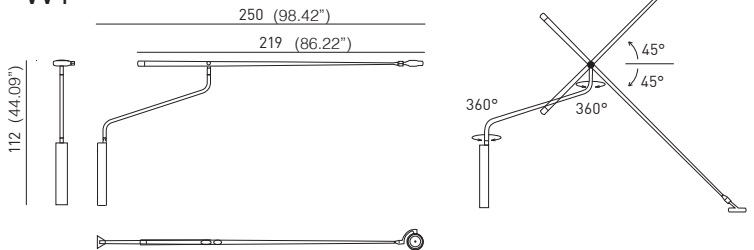
Floor lamp base

F1



Wall mounted base

W1



Total Power	16W
Light Source	COB LED 400 mA 13W
Kelvin	2700K, 3000K
Lumen	2700K: 1380lm, 3000K: 1450lm
Dimmer	Push
CRI	90
IP	20
Insulated Class	1
Net weight	F1: 49,3 Kg H1: 7,7 Kg W1: 8,1 Kg
Materials	Aluminum, Carbon Fiber, Steel, Nylon, Cement (Only Ibis F1)

SPECIFICATION SHEET

ORDERING INFO

Model (Order Code)	Finish	LED	Power Options
	<input type="radio"/> 62 Matte Black <input type="radio"/> 73 Burgundy	<input type="radio"/> 2700K <input type="radio"/> 3000K	<input type="radio"/> 120V Push Dimmer

