

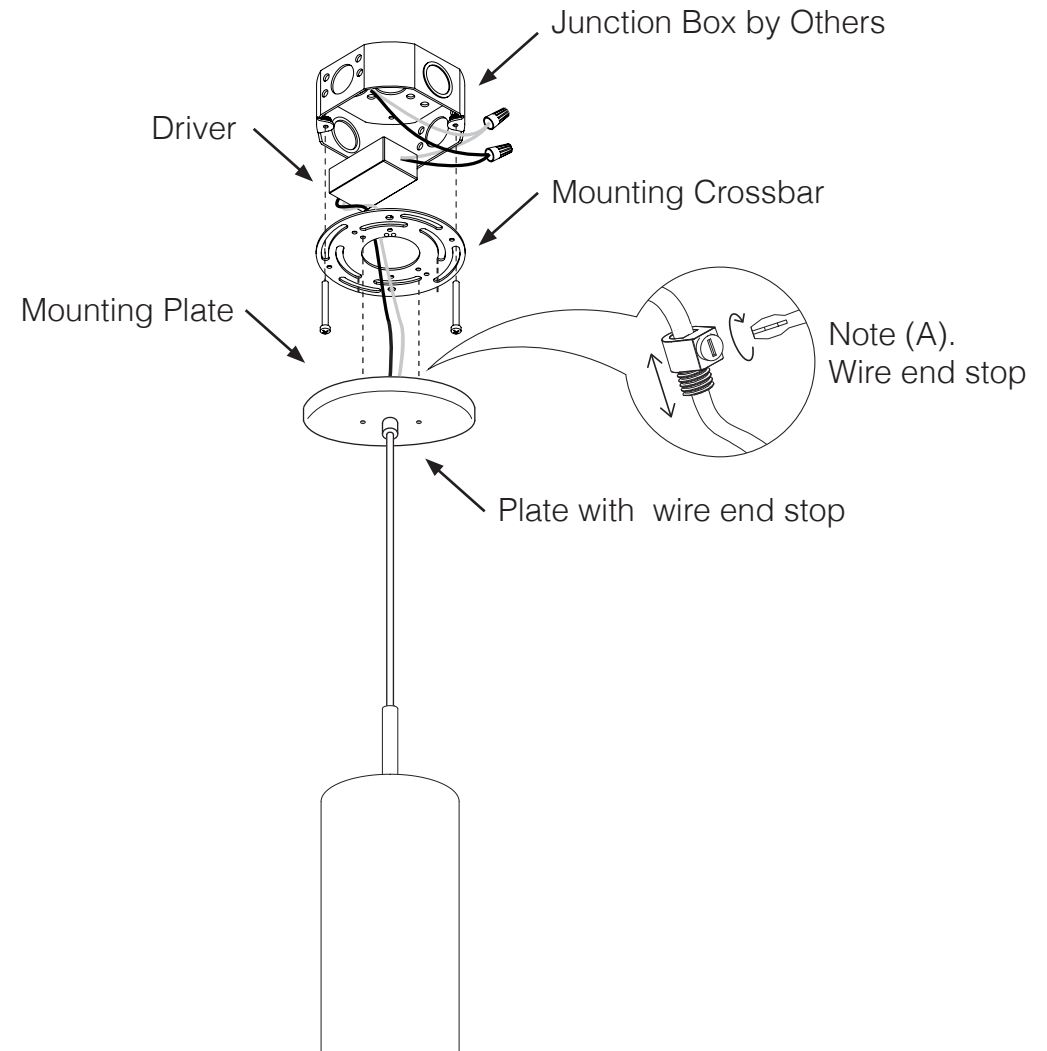
ALPHA

INSTALLATION INSTRUCTIONS

TYPE:

PROJECT NAME:

1. Turn off the power.
2. Make the wiring connections between the fixture and driver. Connect the 120-277V power to the driver. Remember to ground (electrical wiring diagrams on the first page).
3. Adjust the length of the wire and lock it with the wire end stop (A).
4. Mount the crossbar to the junction box and attach the plate to the mounting crossbar with screws.
5. Raise canopy and secure with set screw. Turn on power.



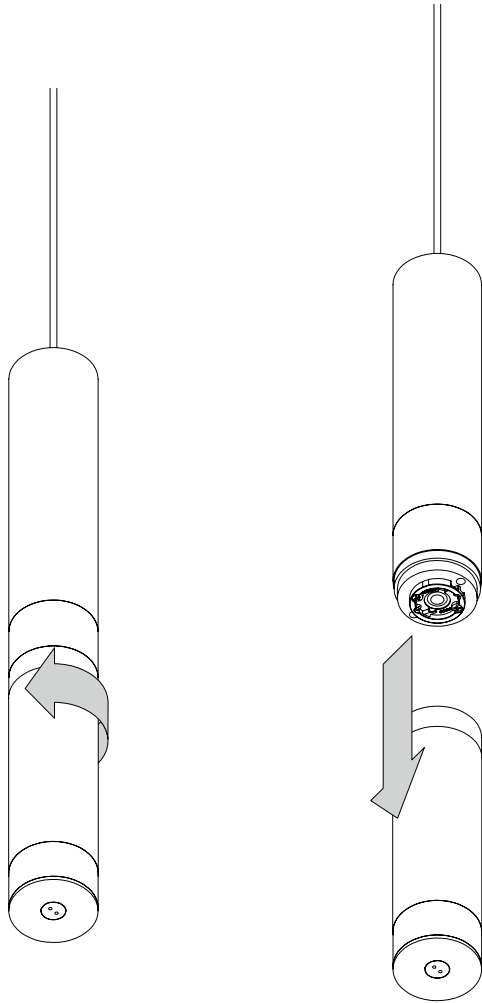
ALPHA

INSTALLATION INSTRUCTIONS

TYPE:

PROJECT NAME:

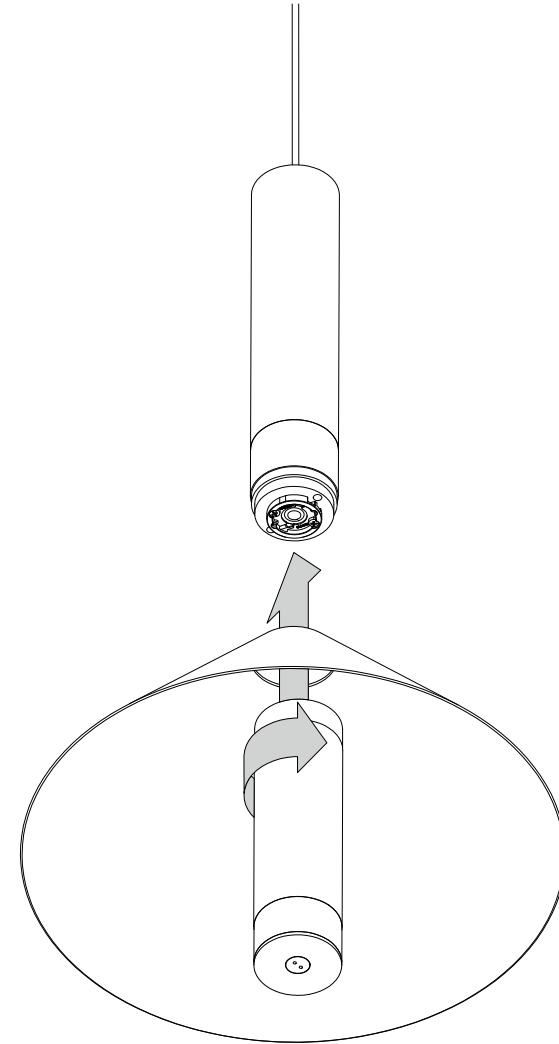
01



To install or remove the LED module, simply twist as shown.

SHADE 250/400/700

02



To add a shade, place between LED module and upper part of fixture as shown.