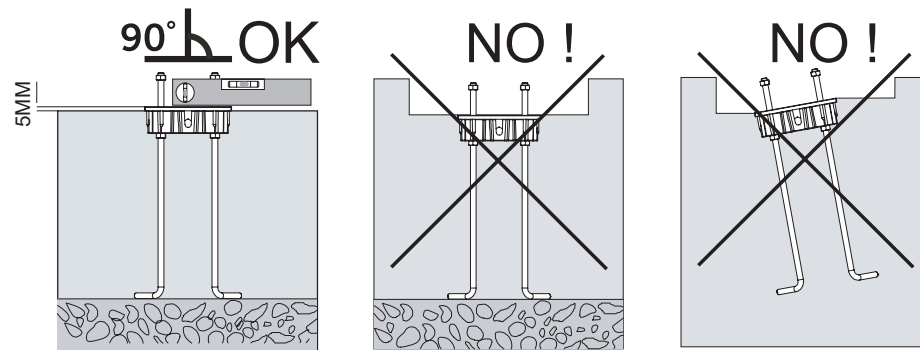
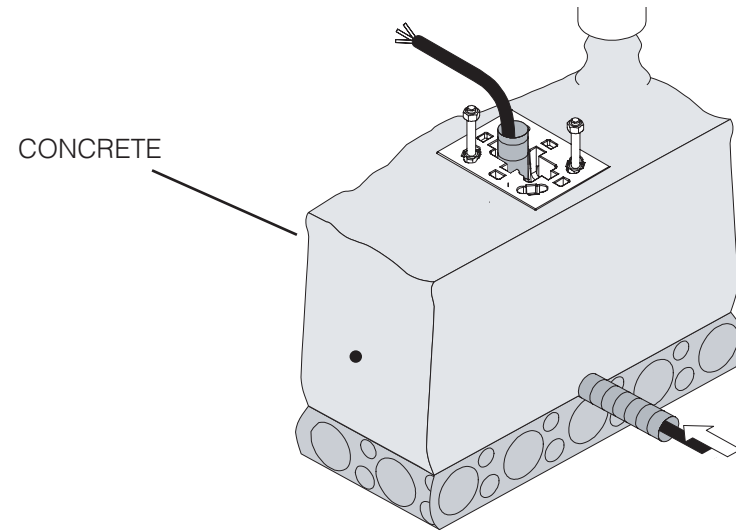
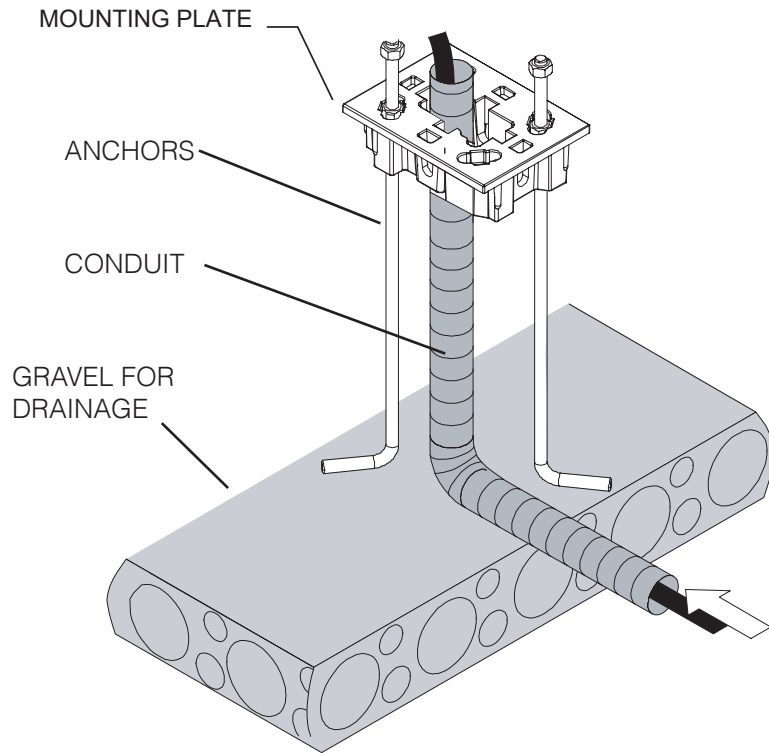


BOLLARD CONCRETE ANCHOR

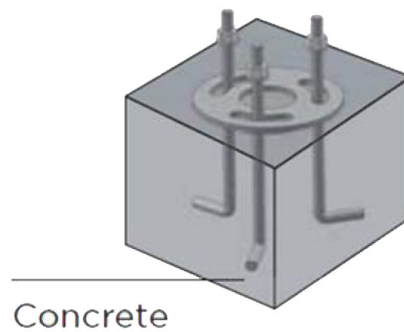
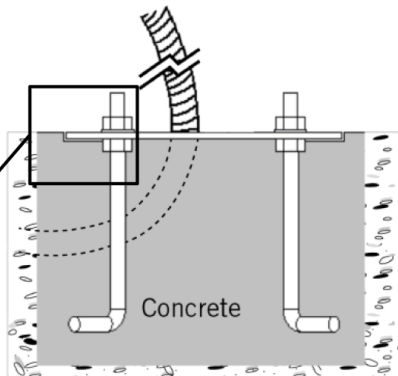
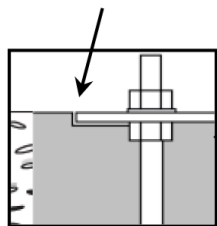
INSTALLATION INSTRUCTIONS

TYPE:

PROJECT NAME:



Pour concrete up to this edge



Instructions for installation of bollard concrete anchors and mounting plate using new poured concrete construction

1. Prepare desired drainage using 8-12" of gravel
2. Install an appropriate electrical conduit (not included) through the mounting plate and feed cable through conduit
3. Pour concrete up to the edge of the mounting plate. Ensure that the mounting plate is level
4. Proceed with bollard installation once concrete has set

INSTALLATION SHEET