

BRAZEN

SUSPENSION

TYPE:

PROJECT NAME:



SPECIFICATION SHEET

BRAZEN

SUSPENSION

TYPE:

PROJECT NAME:



Glueless assembly

Material:

PET Felt (polyethylene terephthalate)
Fireclass: EN13501-1 Class B

Fixture:

2m black textile cable
3 black metal wires with adjustable griplock
Black ceiling cap

Lighting properties:



Integrated LED
17W | 1850lm



Dimmable



2700 | 3000K | 4000K
TW 2700-6500K



IP20

Acoustic properties:

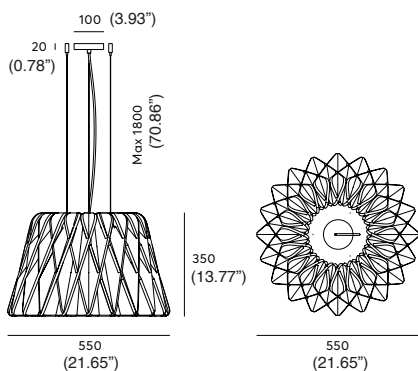


1,98 m² of acoustic absorption
material of aw 0,45

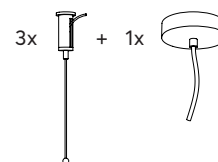


Diffusion due to the 'waffle' design

Dimensions:



Mounting:



SPECIFICATION SHEET

Luminart®

WWW.LUMINARTLIGHTING.COM

BRAZEN

SUSPENSION

TYPE:

PROJECT NAME:

Colors:



Light source specifications:

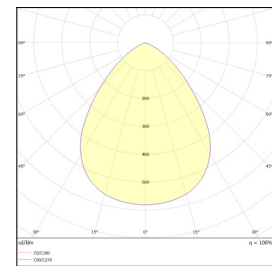
Based on calculations of Brazen in colour 11_Fog grey | 3000K | Trailing edge



LED power:	17W
Connection voltage:	120V AC
Luminous Flux 2700K/3000K/4000K:	1770 lm / 1812lm / 1960lm
Life time:	L80/B20 100.000h L90 50.000h
Driver:	Included Integrated
Power factor: 2700K/3000K/4000K:	104lm/W 107lm/W 116lm/W
Optics Beam of light:	Prismatic diffuser
CCT Color temperature:	2700K 3000K 4000K TW2700-6500
CRI:	Ra >80
UGR:	<22
Operating temperature:	-20 ~ +45

Photometrics:

Lumen intensity distribution



Acoustic specifications:

The acoustic design principle.

Brazen is designed to catch sound directly from the space where sound is created. Such as meeting rooms or dining tables. Because of its large open design, soundwaves will travel inside the shade and the mushroom like slats absorb the sound.

The LED element, will reflect the soundwaves

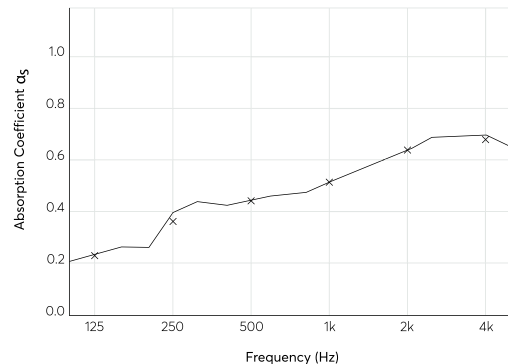
Calculated acoustic surface area: 1,98 m2

aw (ISO 11654) = 0,45

SAA (ASTM - C423) = 0,45

Measurement of 9mm free hanging PET Felt

sound absorption calculation in a reverberation room



	0.16	0.21	0.38	0.43	0.55	0.65
1/3 oct.	0.19	0.35	0.40	0.47	0.59	0.65
	0.21	0.39	0.42	0.51	0.64	0.61
1/1 oct.	0.19	0.32	0.40	0.47	0.59	0.64

ORDERING INFO

Model (Order Code)

Finish

LED

Power Options

See above

- 2700K
 3000K
 4000K

- 120V Phase Dimming
 120V 0-10V Dimming
 277V 0-10V Dimming



SPECIFICATION SHEET

Luminart®

WWW.LUMINARTLIGHTING.COM

BRAZEN

SUSPENSION

TYPE:

PROJECT NAME:



Glueless assembly

Material:

PET Felt (polyethylene terephthalate)
Fireclass: EN13501-1 Class B

Fixture:

2m black textile cable
3 black metal wires with adjustable griplock
Black ceiling cap

Lighting properties:



Integrated LED
36W | 3560lm



Dimmable
Trailing edge (RC) | DALI



2700 | 3000K | 4000K
TW 2700-6500K



IP20

Acoustic properties:

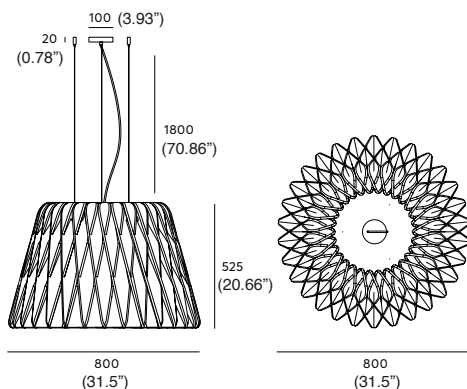


3,27 m² of acoustic absorption
material of aw 0,45

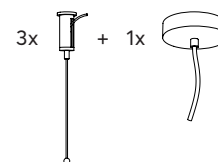


Diffusion due to the 'mushroom' design

Dimensions:



Mounting:



SPECIFICATION SHEET

Luminart®

WWW.LUMINARTLIGHTING.COM

BRAZEN

SUSPENSION

TYPE:

PROJECT NAME:

Colors:



Light source specifications:

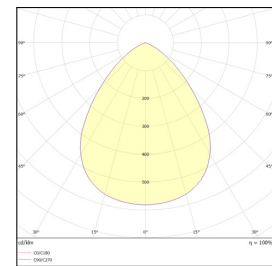
Based on calculations of Brazen in colour 11_Fog grey | 3000K | Trailing edge



LED power:	36W
Connection voltage:	120V AC
Luminous Flux: 2700K/3000K/4000K	3130lm / 3280lm / 3480
Life time:	L80/B20 100.000h L90 50.000h
Driver:	Included Integrated
Power factor: 2700K/3000K/4000K	87lm/W 99lm/W 97lm/W
Optics Beam of light:	Prismatic diffuser
CCT Color temperature:	2700K 3000K 4000K TW2700-6500
CRI:	Ra >80
UGR:	<22
Operating temperature:	-20 ~ +45

Photometrics:

Lumen intensity distribution



Acoustic specifications:

The acoustic design principle.

Brazen is designed to catch sound directly from the space where sound is created. Such as meeting rooms or dining tables. Because of its large open design, soundwaves will travel inside the shade and the mushroom like slats absorb the sound.

The LED element, will reflect the soundwaves

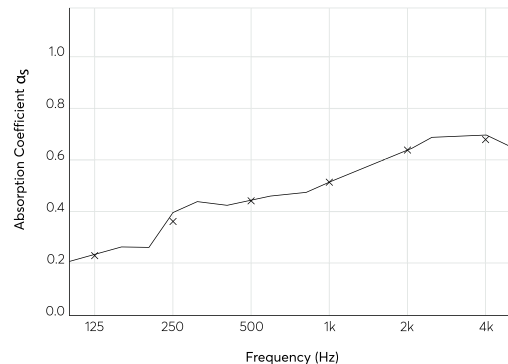
Calculated acoustic surface area: 3,27 m2

aw (ISO 11654) = 0,45

SAA (ASTM - C423) = 0,45

Measurement of 9mm free hanging PET Felt

sound absorption calculation in a reverberation room



	0.16	0.21	0.38	0.43	0.55	0.65
1/3 oct.	0.19	0.35	0.40	0.47	0.59	0.65
	0.21	0.39	0.42	0.51	0.64	0.61
1/1 oct.	0.19	0.32	0.40	0.47	0.59	0.64

ORDERING INFO

Model (Order Code)

Finish

LED

Power Options

See above

- 2700K
 3000K
 4000K

- 120V Phase Dimming
 120V 0-10V Dimming
 277V 0-10V Dimming



SPECIFICATION SHEET

Luminart®

WWW.LUMINARTLIGHTING.COM

BRAZEN

SUSPENSION

TYPE:

PROJECT NAME:



Material:

PET Felt (polyethylene terephthalate)
Fireclass: EN13501-1 Class B

Fixture:

2m black textile cable
4 black metal wires with adjustable griplock
Black ceiling cap

Lighting properties:



Integrated LED
64W | 6870lm



Dimmable
DALI



2700K | 3000K | 4000K



IP20

Acoustic properties:

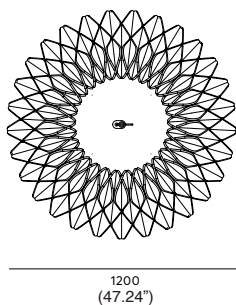
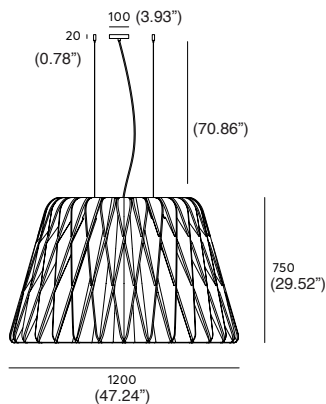


8,84 m² of acoustic absorption
material of aw 0,45

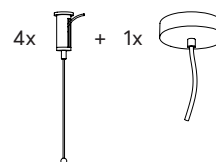


Diffusion due to the 'mushroom' design

Dimensions:



Mounting:



SPECIFICATION SHEET

BRAZEN

SUSPENSION

TYPE:

PROJECT NAME:

Colors:



Light source specifications:

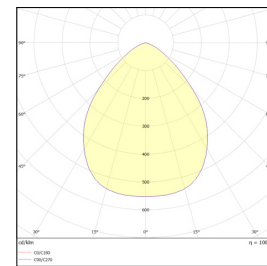
Based on calculations of Brazen in colour 11_Fog grey | 3000K | Trailing



LED power: 2700K/3000K/4000K	64W
Connection voltage:	120V AC
Luminous Flux: 2700K/3000K/4000K	6230lm / 6870lm / 7360lm
Life time:	L80/B20 100.000h
Driver:	Included Integrated
Power factor: 2700K/3000K/4000K	113lm/W 107lm/W 115lm/W
Optics Beam of light:	Prismatic diffuser
CCT Color temperature:	2700K 3000K 4000K
CRI:	Ra>80
UGR:	<19
Operating temperature:	-20 ~ +45

Photometrics:

Lumen intensity distribution



Acoustic specifications:

Measurement of 9mm free hanging PET Felt

sound absorption calculation in a reverberation room

The acoustic design principle.

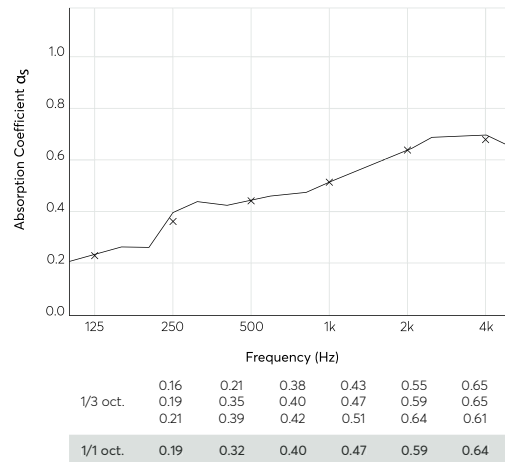
Brazen is designed to catch sound directly from the space where sound is created. Such as meeting rooms or dining tables. Because of its large open design, soundwaves will travel inside the shade and the mushroom like slats absorb the sound.

The LED element, will reflect the soundwaves

Calculated acoustic surface area: 8,84 m2

aw (ISO 11654) = 0,45

SAA (ASTM - C423) = 0,45



SPECIFICATION SHEET

ORDERING INFO

Model (Order Code)	Finish	LED	Power Options
	See above	<input type="radio"/> 2700K <input type="radio"/> 3000K <input type="radio"/> 4000K	<input type="radio"/> 120V Phase Dimming <input type="radio"/> 120V 0-10V Dimming <input type="radio"/> 277V 0-10V Dimming

