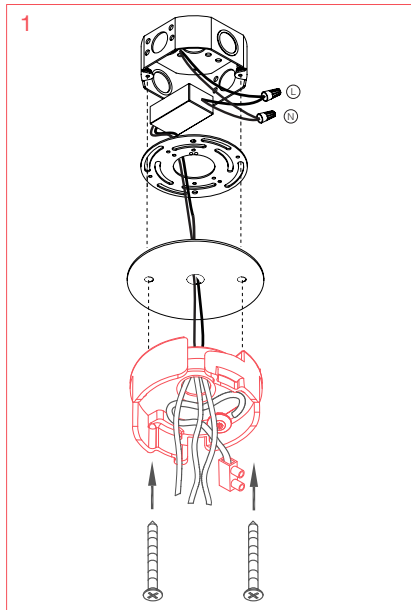


COLLIDE CEILING/WALL

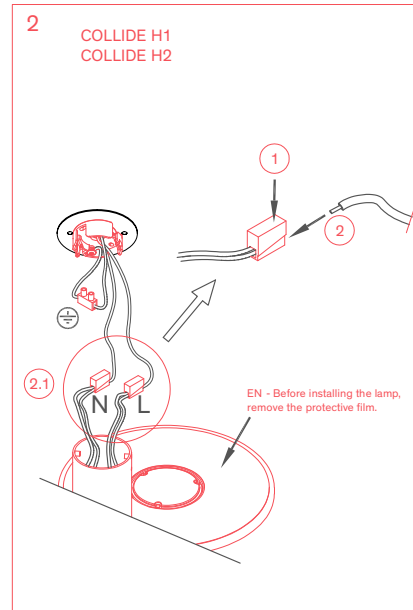
INSTALLATION INSTRUCTIONS

TYPE:

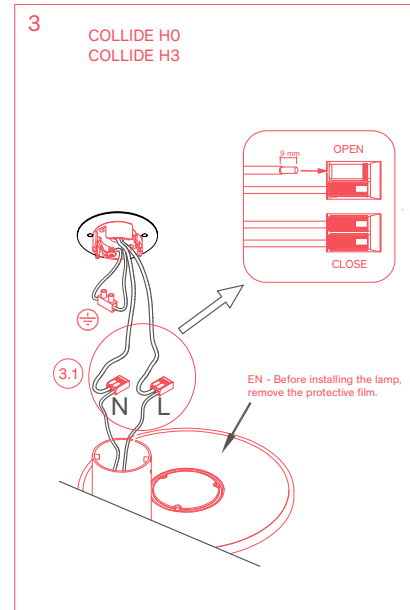
PROJECT NAME:



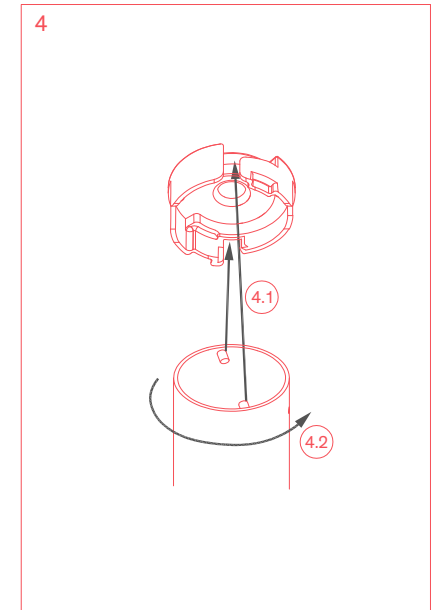
1 Install mounting bracket over backplate and junction box



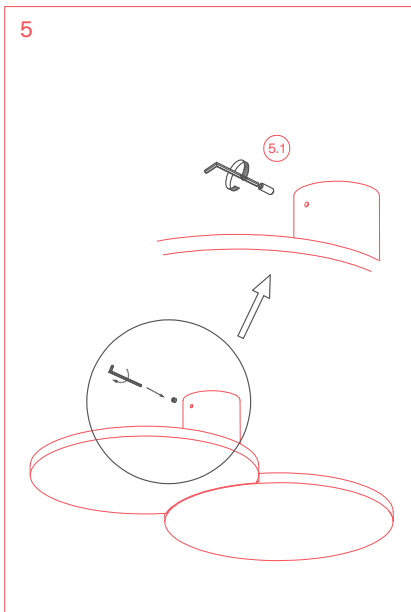
2 H1, H2: Make wire connections to fixture



3 H0, H3: Make wire connections to fixture



4 Raise canopy to mounting bracket and screw in counterclockwise



5 Secure canopy set screw using Allen key

