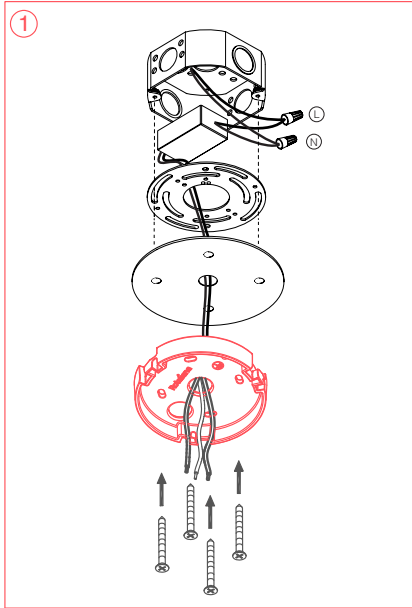


# COLLIDE DOUBLE

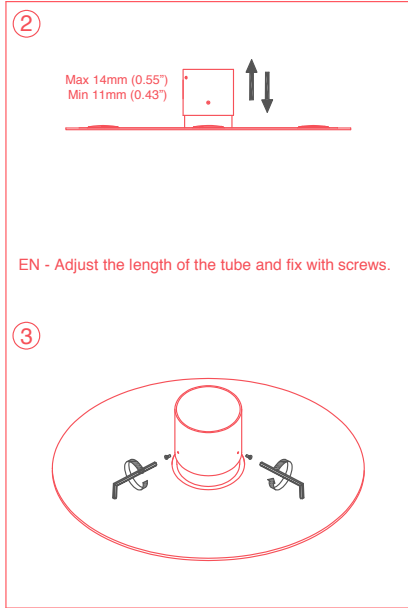
## INSTALLATION INSTRUCTIONS

TYPE:

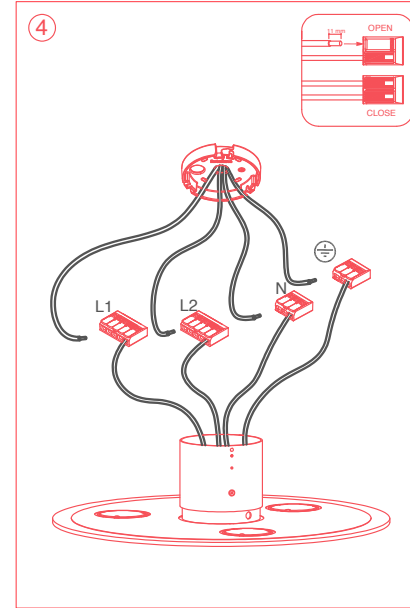
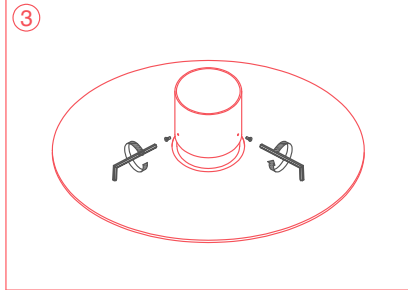
PROJECT NAME:



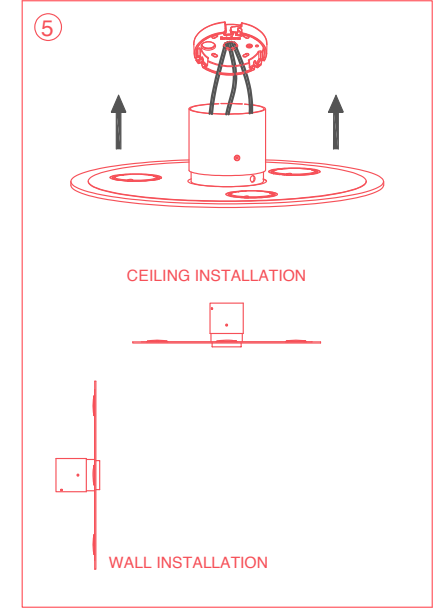
Install mounting bracket over backplate and junction box



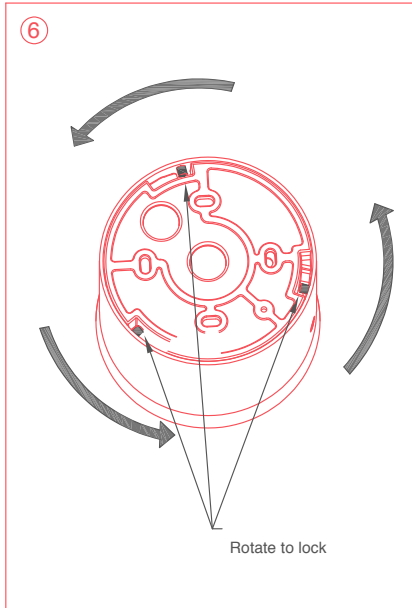
EN - Adjust the length of the tube and fix with screws.



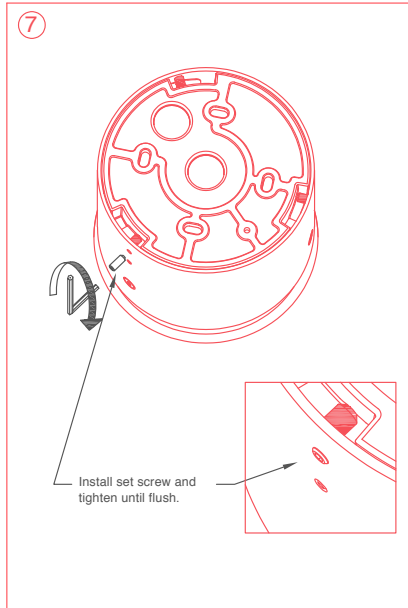
Connect wires from fixture to driver using wago connectors.



Raise canopy to mounting bracket.



Secure canopy by rotating counterclockwise.



Lock canopy in place by tightening set screw into canopy until it is flush.