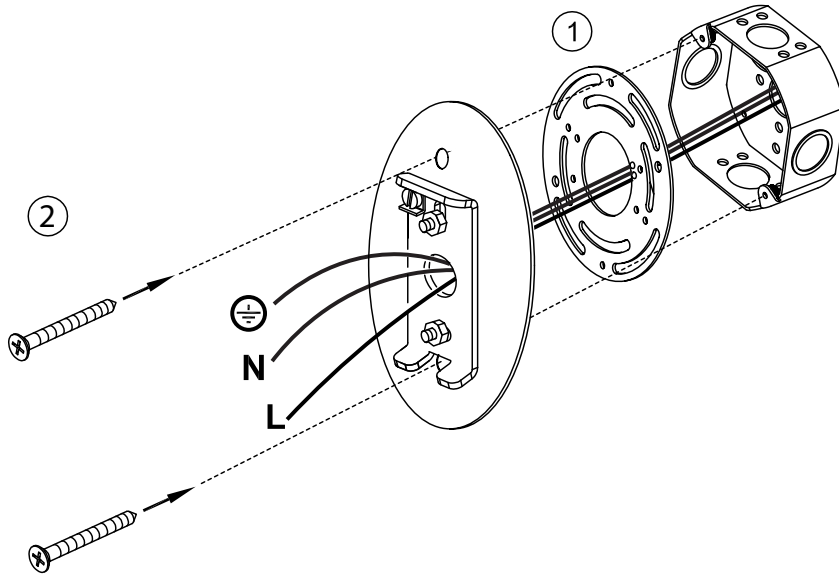


SUNSET W0

INSTALLATION INSTRUCTIONS

TYPE:

PROJECT NAME:



1. Ensure power is turned off.
2. Mount crossbar, cover and bracket to junction box using provided screws.
3. Make ground wire connection to bracket.
4. Connect fixture wires to line voltage using provided wago connectors.
5. Place fixture canopy over mounting bracket.
6. Secure with set screw. Turn on power.

