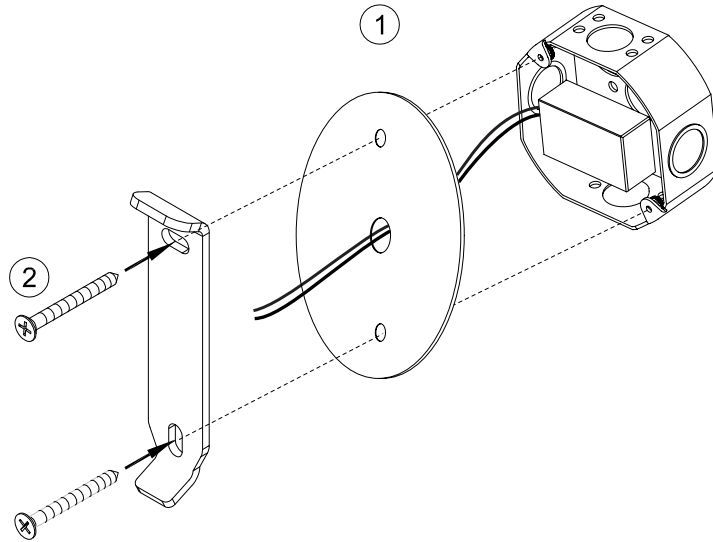


SUNSET

INSTALLATION INSTRUCTIONS

TYPE:

PROJECT NAME:



1. Ensure power is turned off.
2. Mount crossbar and bracket to junction box using provided screws.
3. Make ground wire connection to bracket.
4. Connect fixture wires to driver using provided wago connectors.
5. Place fixture canopy over mounting bracket.
6. Secure with set screw. Turn on power.

