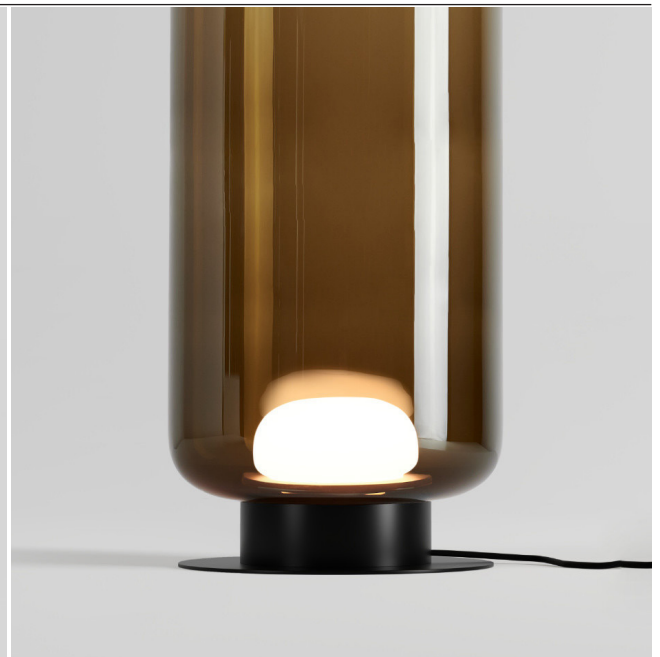


# XYLO

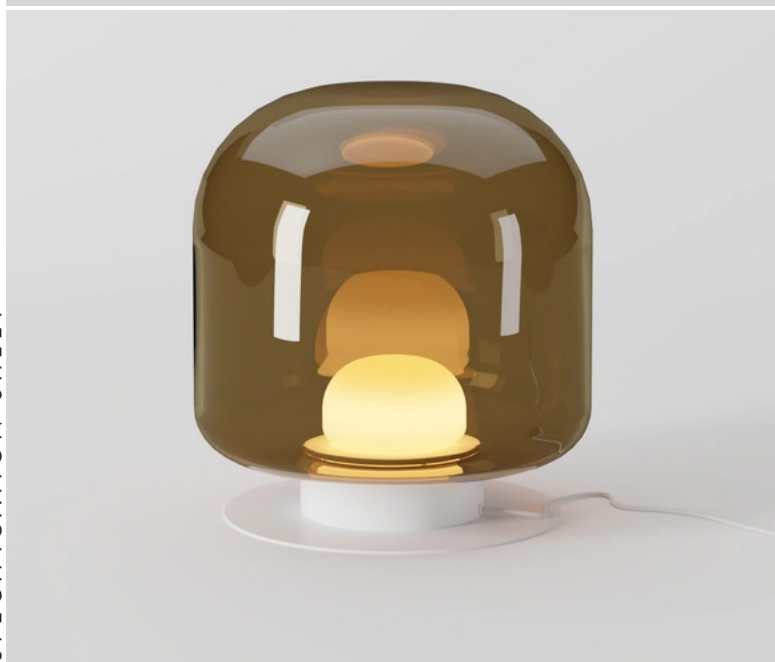
TABLE/FLOOR LAMPS

TYPE:

PROJECT NAME:



**Xylo** A collection of decorative luminaires featuring hand-blown glass shades in coloured crystal glass or triple-layered opal matte glass.



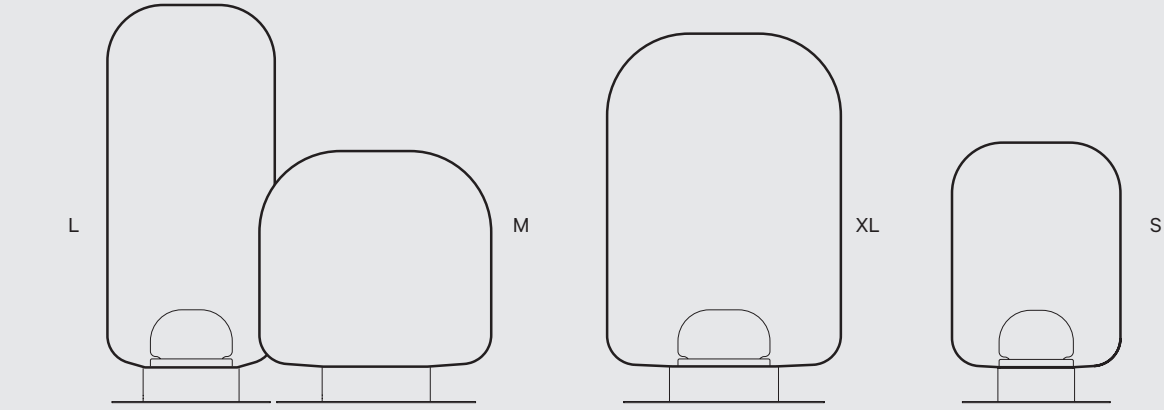
SPECIFICATION SHEET

# XYLO

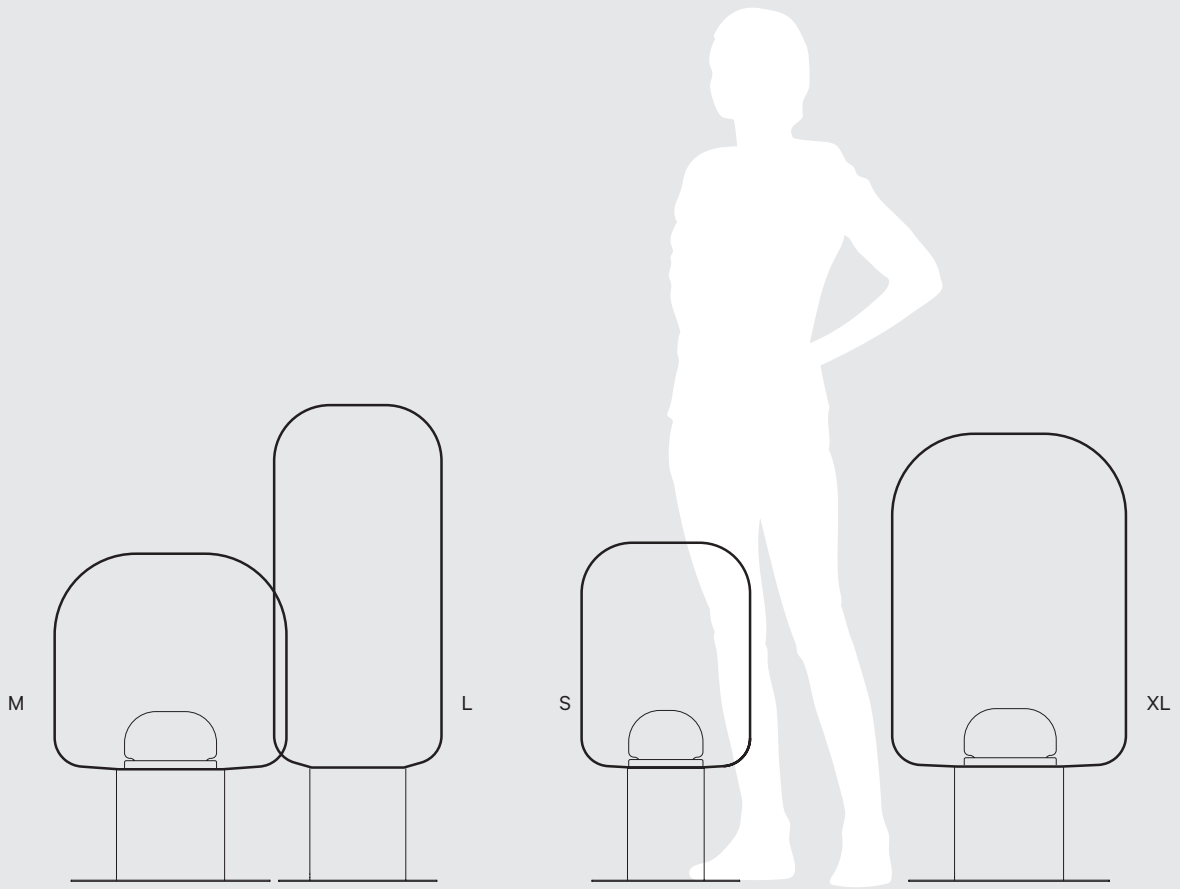
TABLE/FLOOR LAMPS

TYPE:

PROJECT NAME:



Xylo Standing lamp, Low base



Xylo Standing lamp, High base

SPECIFICATION SHEET

# XYLO

TABLE/FLOOR LAMPS

TYPE:

PROJECT NAME:

Hand-blown lampshade,  
crystal glass



Hand-blown inner lampshade,  
triplex opal glass



Aluminum mounting  
ring assembly



Silicone light  
diffusing lens



Light source assembly



Aluminum base with  
power supply module



SPECIFICATION SHEET

# XYLO

## TABLE/FLOOR LAMPS

TYPE:

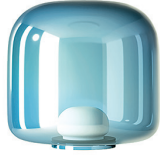
PROJECT NAME:

Colour and size of the lampshade

**Petrol Blue** (crystal glass)



size S



size M



size L



size XL

**Smoky Brown** (crystal glass)



size S



size M



size L



size XL

**Opal Matt Triplex** (triple-layered opal glass)



size S



size M



size L



size XL

SPECIFICATION SHEET



standing high

standing low

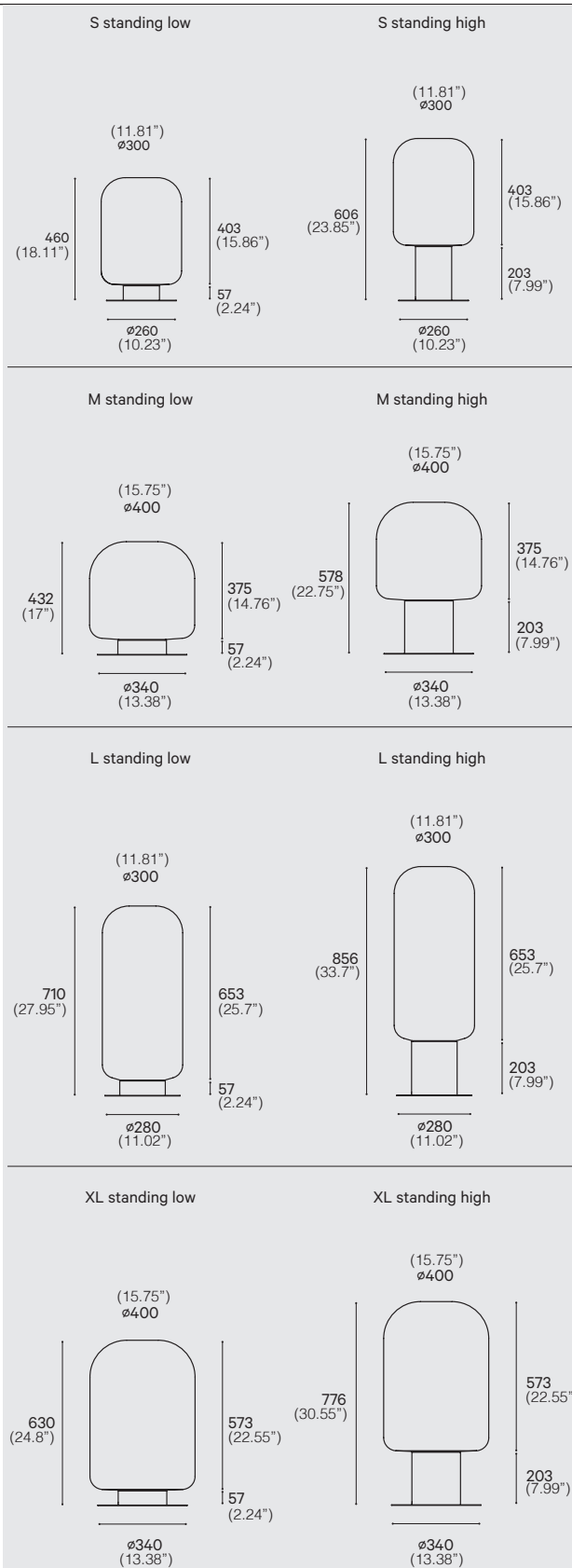
# XYLO

TABLE/FLOOR LAMPS

TYPE:

PROJECT NAME:

## Dimensions



Please note: Due to the handmade nature of the shades, please assume a tolerance of +/- 1% to lampshade dimensions.

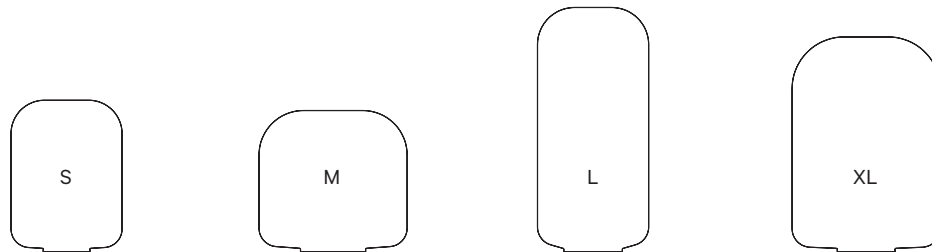
SPECIFICATION SHEET

**Luminart®**

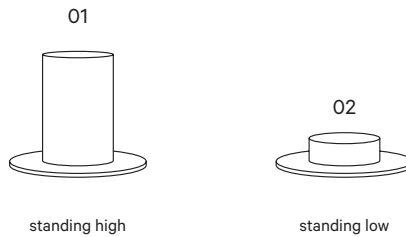
WWW.LUMINARTLIGHTING.COM

## Order configurator

Select lampshade size and colour



Select type of base / mount  
+ colour and technical specifications  
+ cable



LUMENS OUTPUT	Opal Triplex Matte White Shade	Petrol Blue Crystal Shade	Smoky Brown Crystal Shade
S Lampshade (20W LED)	1440 lm	570 lm	460 lm
M Lampshade (20W LED)	1400 lm	570 lm	460 lm
L Lampshade (28W LED)	1700 lm	700 lm	560 lm
XL Lampshade (28W LED)	1770 lm	710 lm	570 lm

FREESTANDING OPTION	FIXED OPTION 1	FIXED OPTION 2
Fixture will come as a standalone lamp with power cable emerging visibly from the base. This option supports On/Off or Phase dimming.	Fixture will have two holes drilled in the base for fixed installation. Power cable will emerge visibly from side of base. This option supports On/Off or Phase dimming.	Fixture will have a 3/8" threaded hollow rod installed below the base for hardwired installation onto a hole drilled on the surface. The cable runs through the rod and is thus concealed. This option supports On/Off, Phase and 0-10V dimming.

ORDERING INFO						
Lampshade Size	Glass	Base	Base Finish	CCT	Wire Option	Power
<input type="radio"/> L54GL.S Small (20W LED)	<input type="radio"/> 11 Opal Triplex Matte White	<input type="radio"/> 02.NF Standing lamp, Low base	<input type="radio"/> Black <input type="radio"/> White	<input type="radio"/> .927 2700k	<input type="radio"/> Freestanding <input type="radio"/> Fixed Option 1 <input type="radio"/> Fixed Option 2	<input type="radio"/> 120V On/Off plug <input type="radio"/> 120V Phase Dim plug <input type="radio"/> 120V Hardwire Phase or 0-10V Dim
<input type="radio"/> L54GL.M Medium (20W LED)	<input type="radio"/> 12 Petrol Blue Crystal	<input type="radio"/> 01.NF Standing lamp, High base	<input type="radio"/> Terracotta <input type="radio"/> Ocean Grey <input type="radio"/> Warm Dust	<input type="radio"/> .930 3000K <input type="radio"/> .940 4000K		
<input type="radio"/> L54GL.L Large (28W LED)	<input type="radio"/> 13 Smoky Brown Crystal					
<input type="radio"/> L54GL.XL Extra Large (28W LED)						

SPECIFICATION SHEET



\*0-10V is available for Fixed Option 2 configuration only